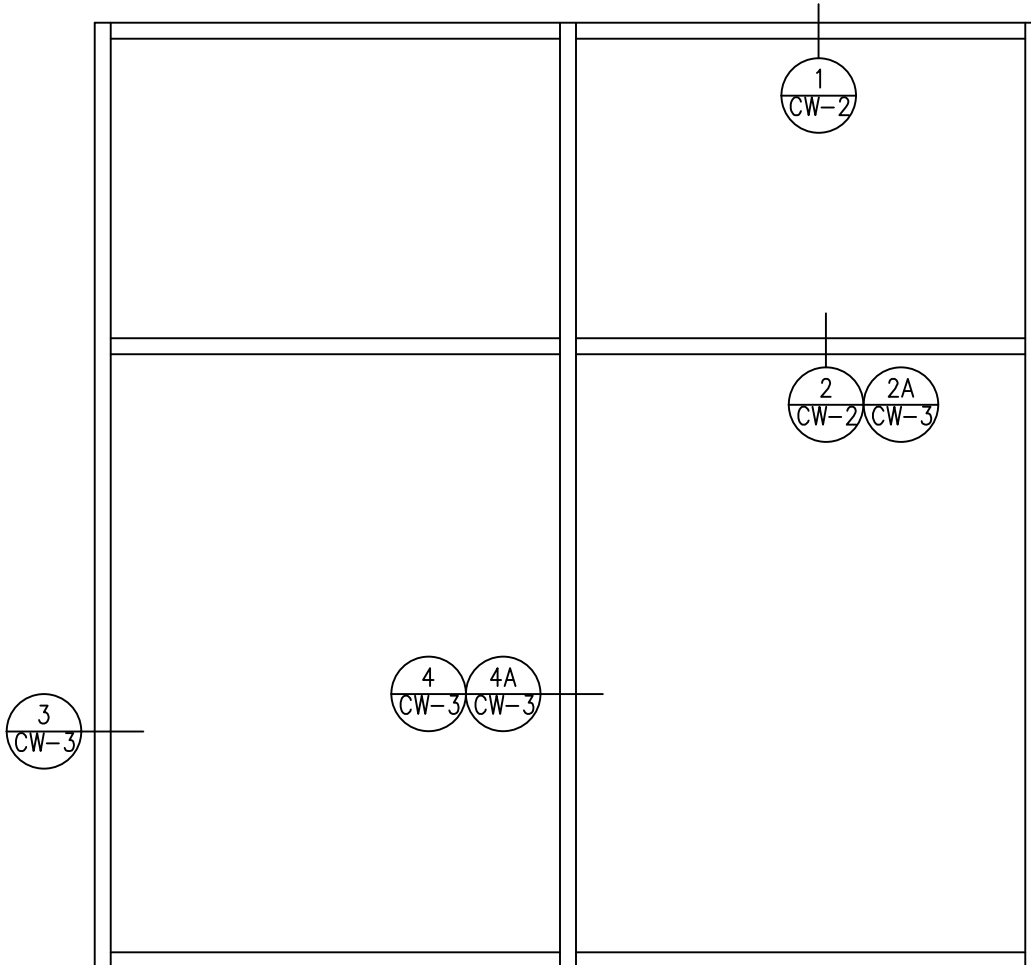




SCALE: NONE

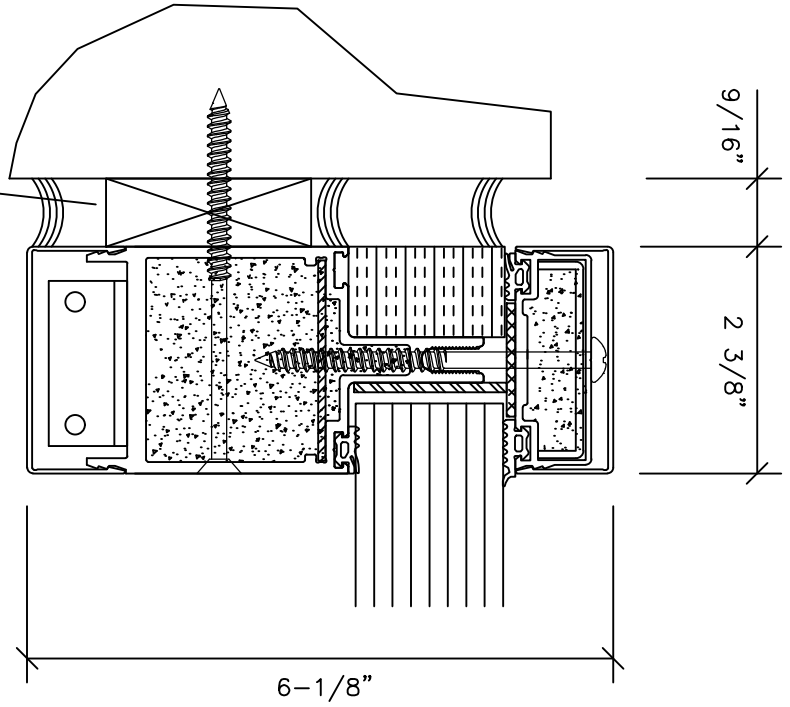
- 2 3/8" x 6-1/4" standard framing members
- Available in Anodized, Powdercoated & Architectural Painted finishes
- Interior and exterior installation
- Delivered fully assembled – or segmented for ease of transport/handling
- 120 minute rated per UL263
- Please refer to literature for max. sizes / ratings
- Also available: 120 min aluminum panel for end of slab conditions, etc.



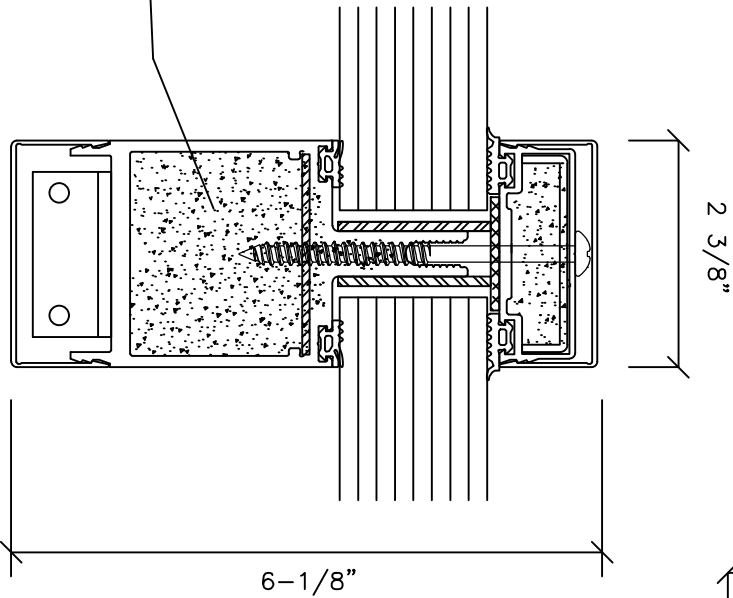
SCALE: 1/2 FULL SIZE

UL LISTED CAULKING  
MINERAL WOOL

1 HEAD SECTION

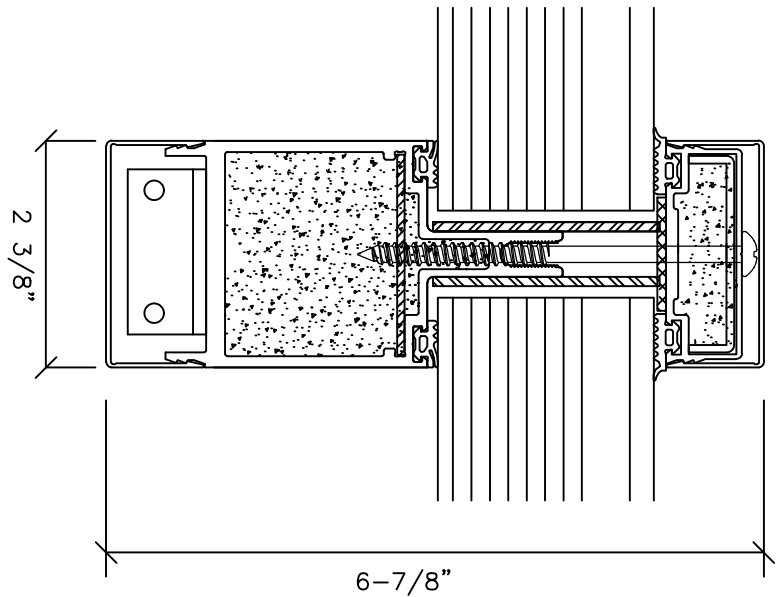


FACTORY FILLED, ALUFLAM  
FIRE-RATED CONCRETE CORE

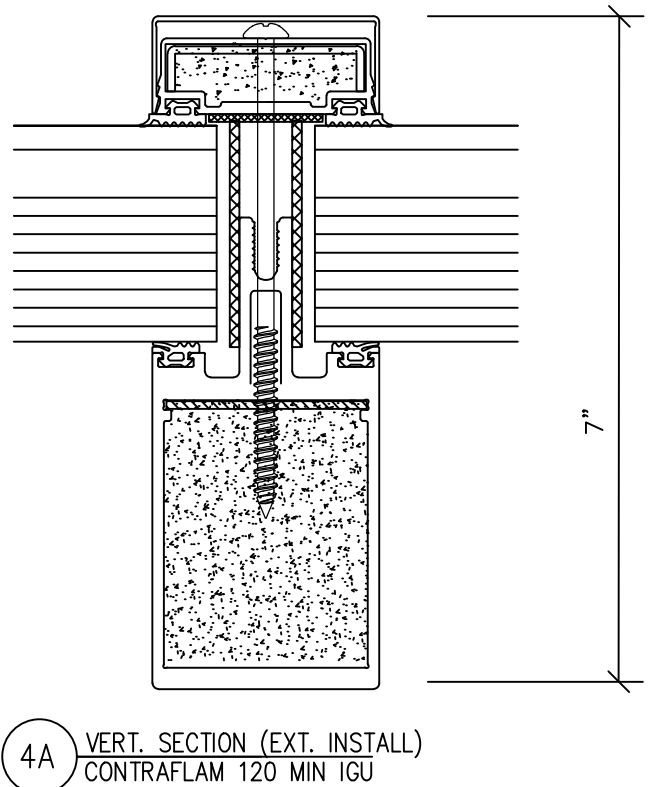
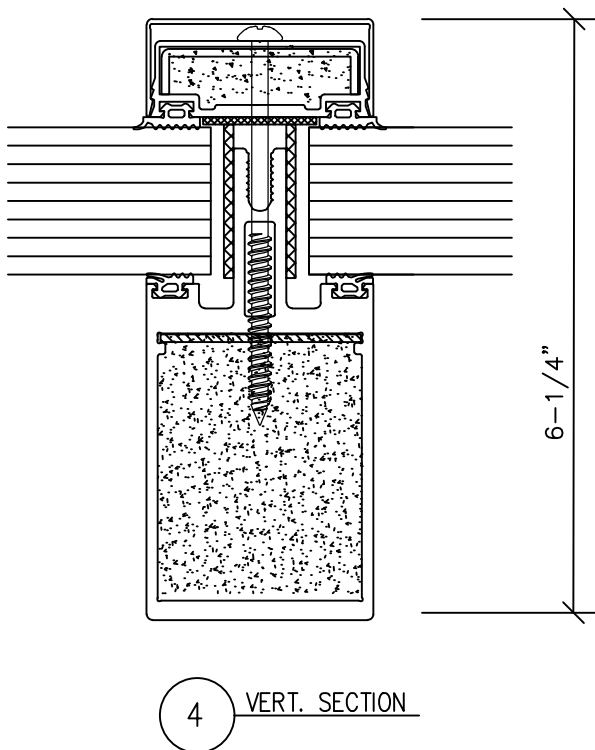
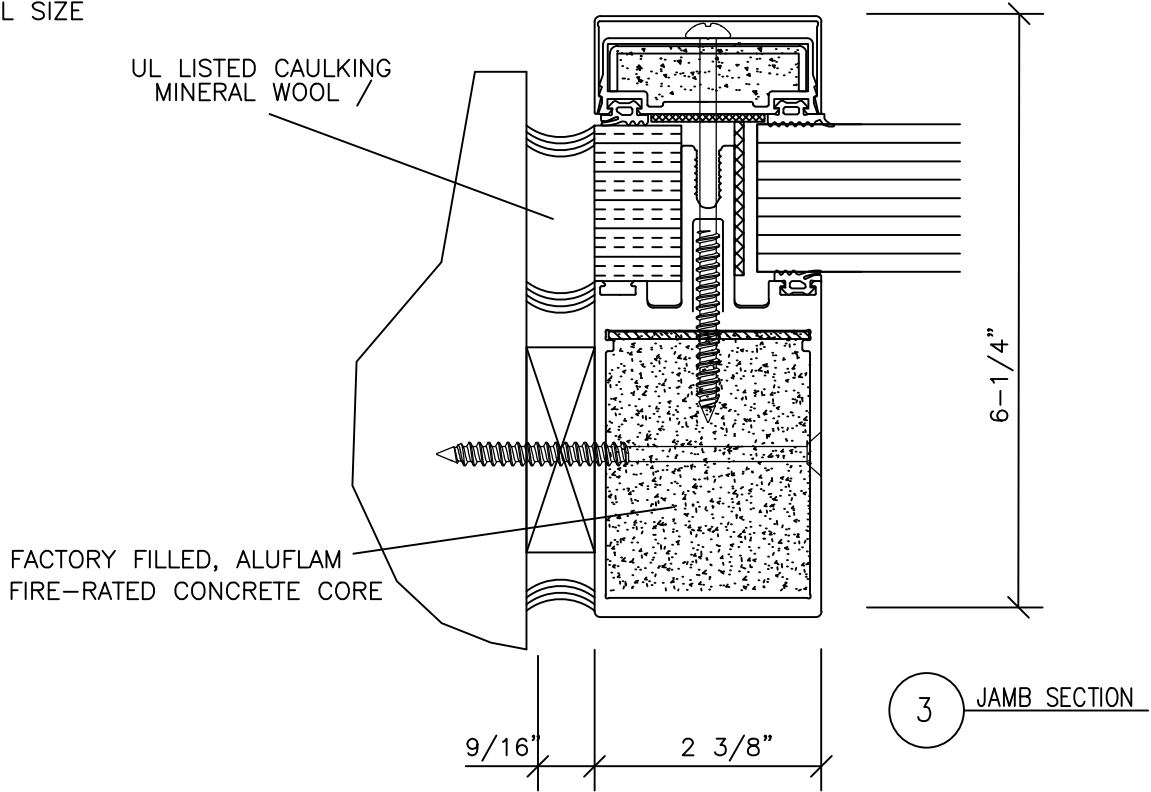


2 HOR. SECTION

2A HOR. SECTION (EXT. INSTALL)  
CONTRAFLAM 120 MIN IGU



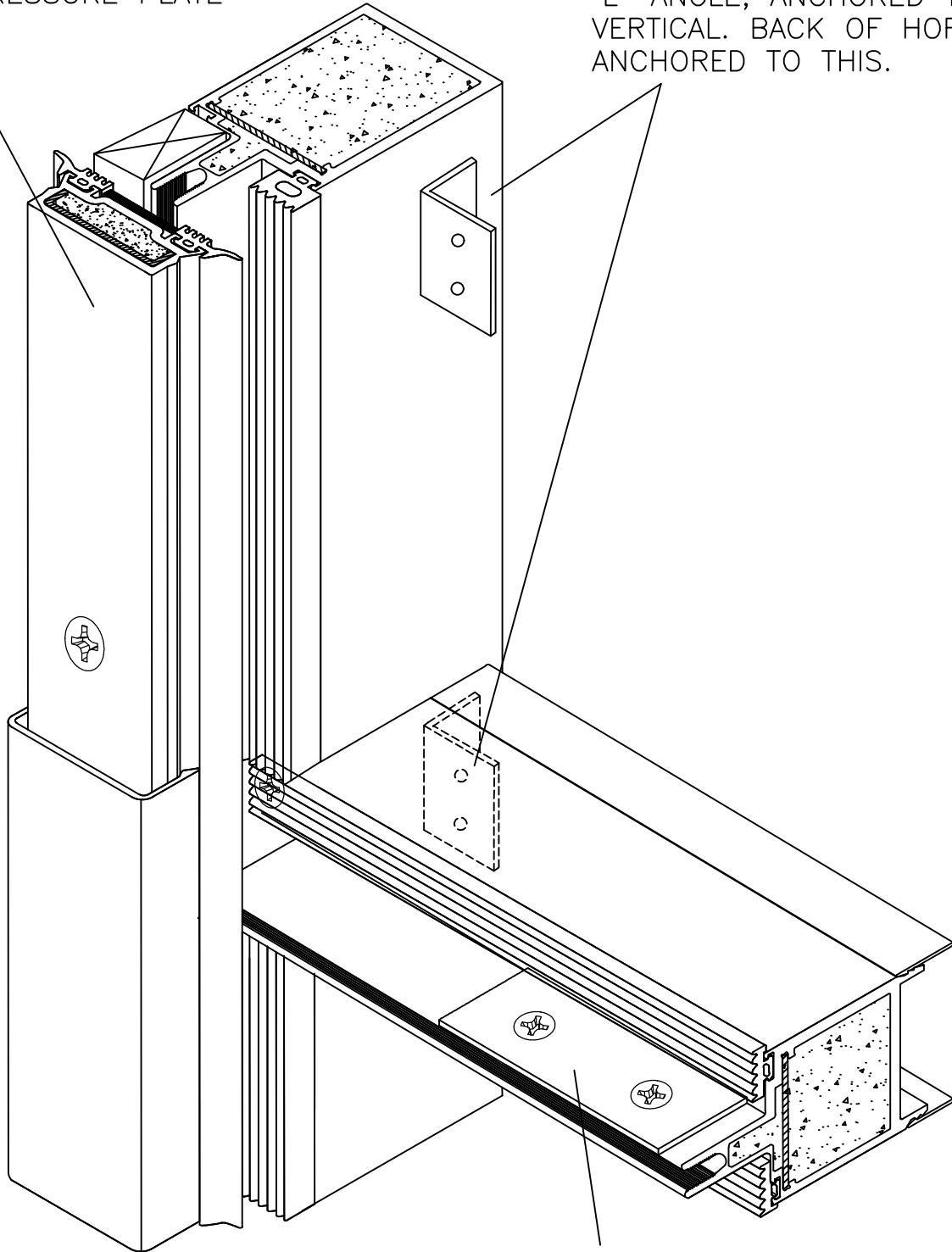
SCALE: 1/2 FULL SIZE





FILLED PRESSURE PLATE

"L" ANGLE, ANCHORED TO  
VERTICAL. BACK OF HORIZONTAL  
ANCHORED TO THIS.



STAINLESS STEEL SETTING BLOCK PLATFORM