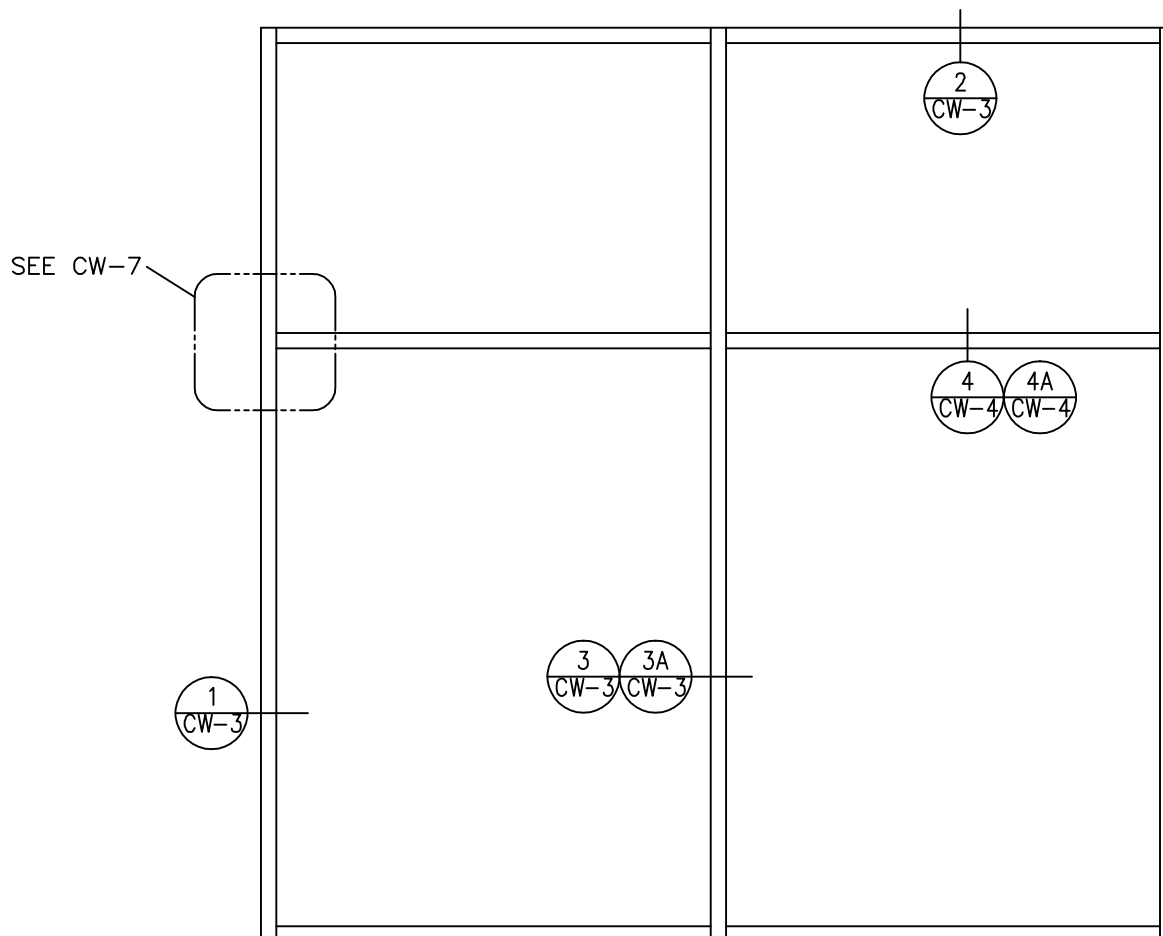




SCALE: NONE

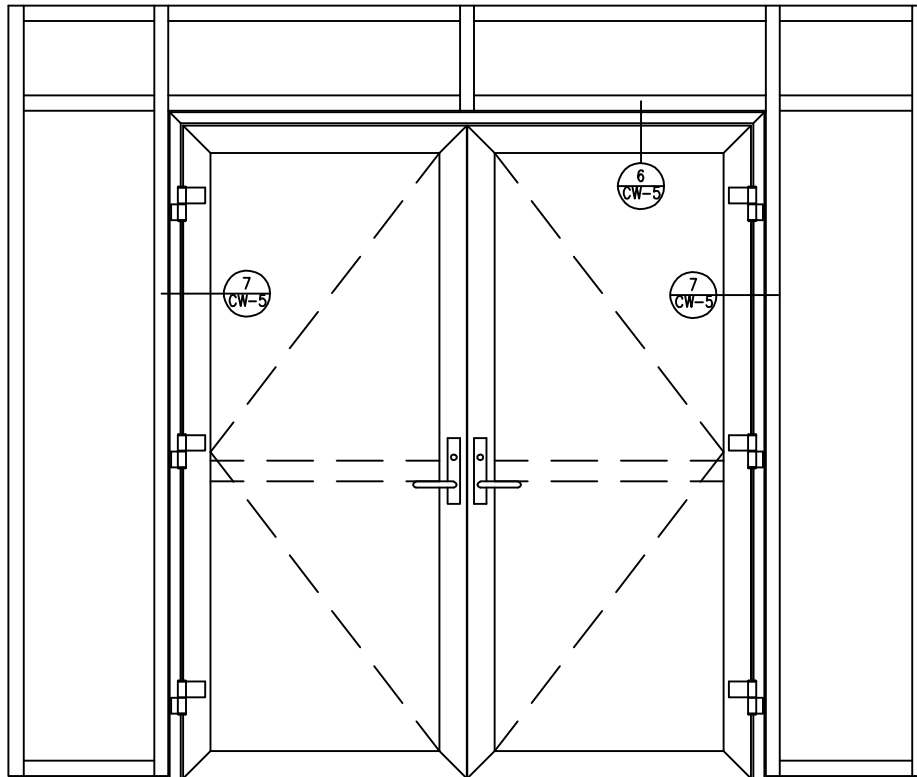
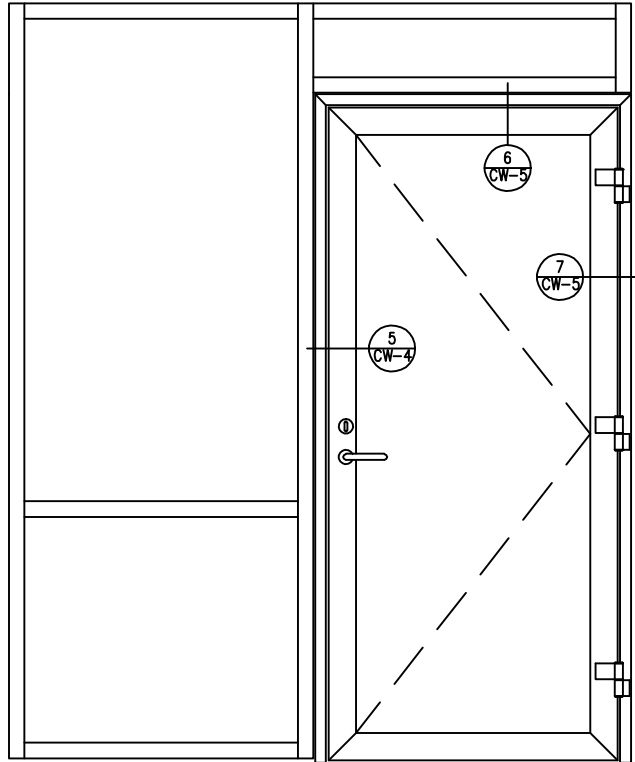
- 2" x 5-3/16" standard framing members
- Available in Anodized, Powdercoated & Architectural Painted finishes
- Interior and exterior installation
- Delivered fully assembled - or segmented for ease of transport/handling
- 60 minute rated per UL263
- Please refer to literature for max. sizes / ratings
- Optional Deeper framing members available (see page 6).



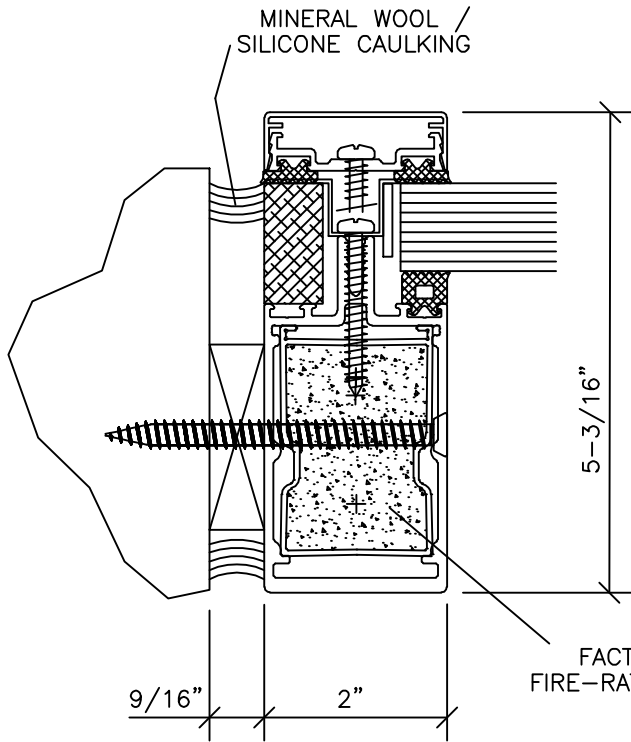


SCALE: NONE

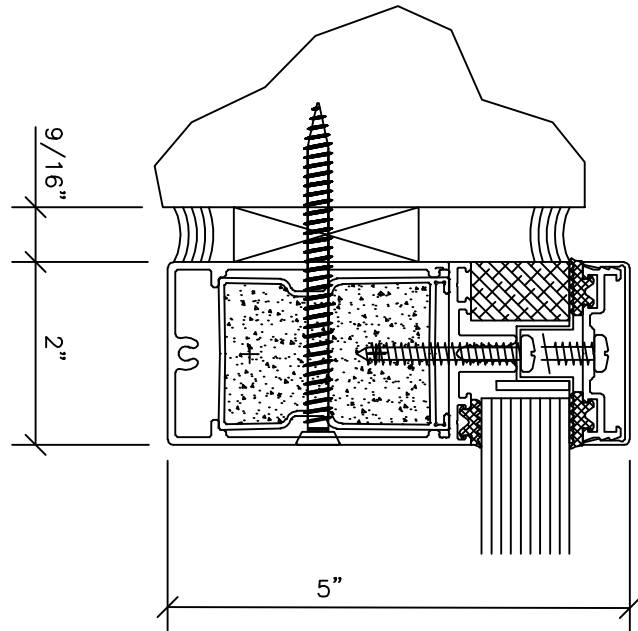
Curatinwall Shown integrated w/  
Doors as sidelites & Transoms



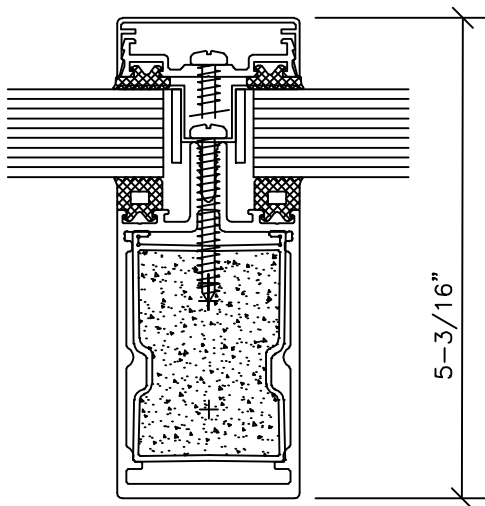
SCALE: 1/2 FULL SIZE



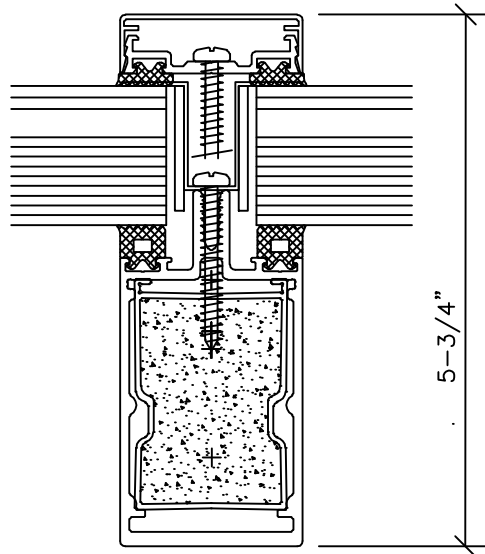
1 JAMB SECTION



2 HEAD SECTION



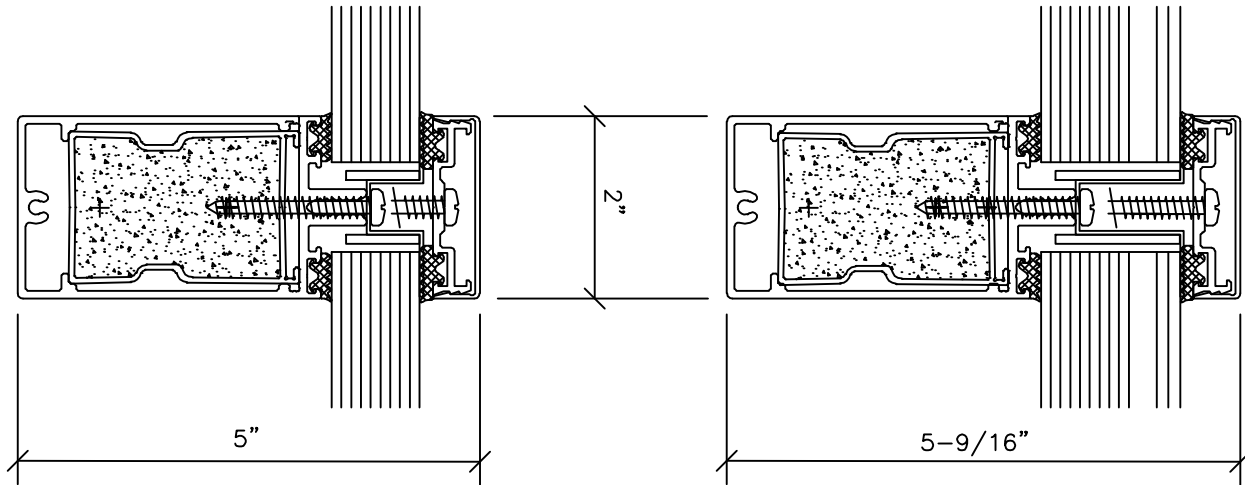
3 VERT. SECTION



3A VERT. SECTION (EXT. INSTALL)  
CONTRAFLAM 60 MIN IGU

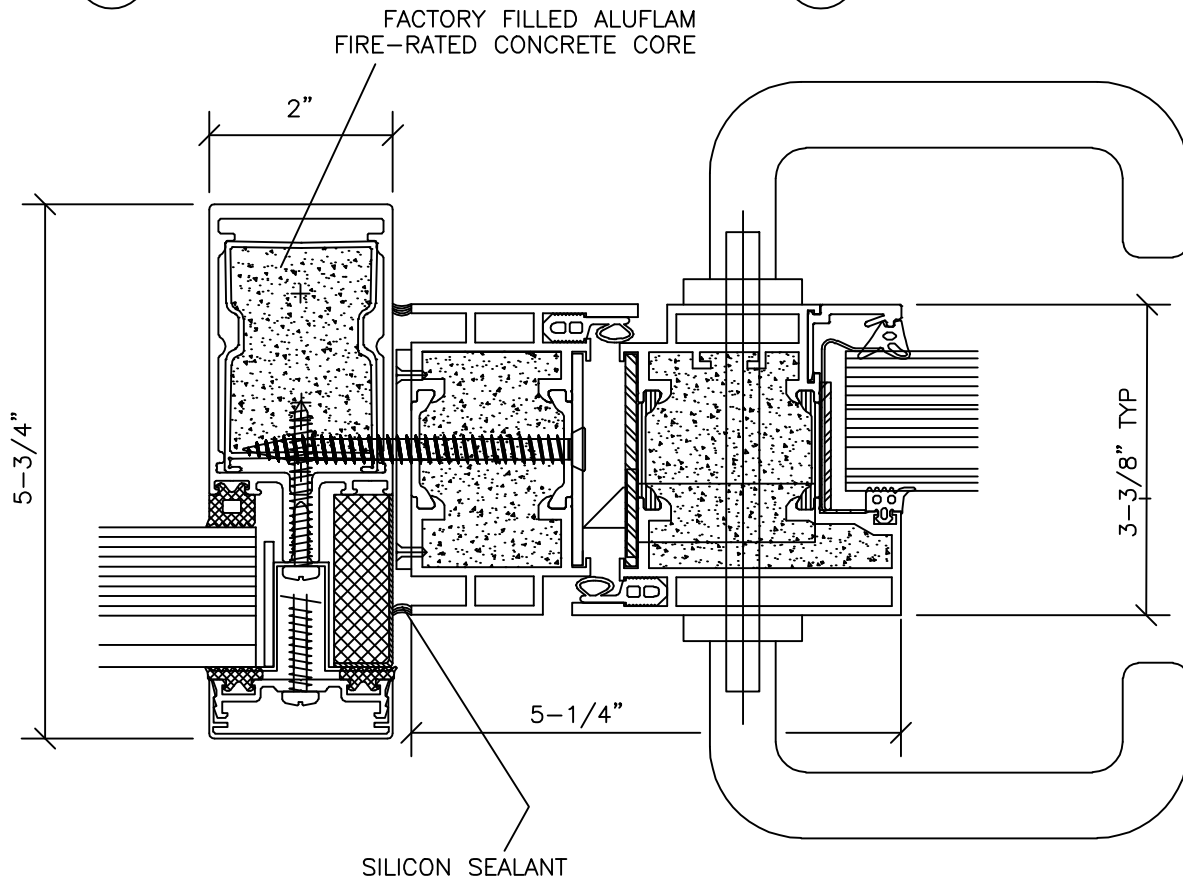


SCALE: 1/2 FULL SIZE



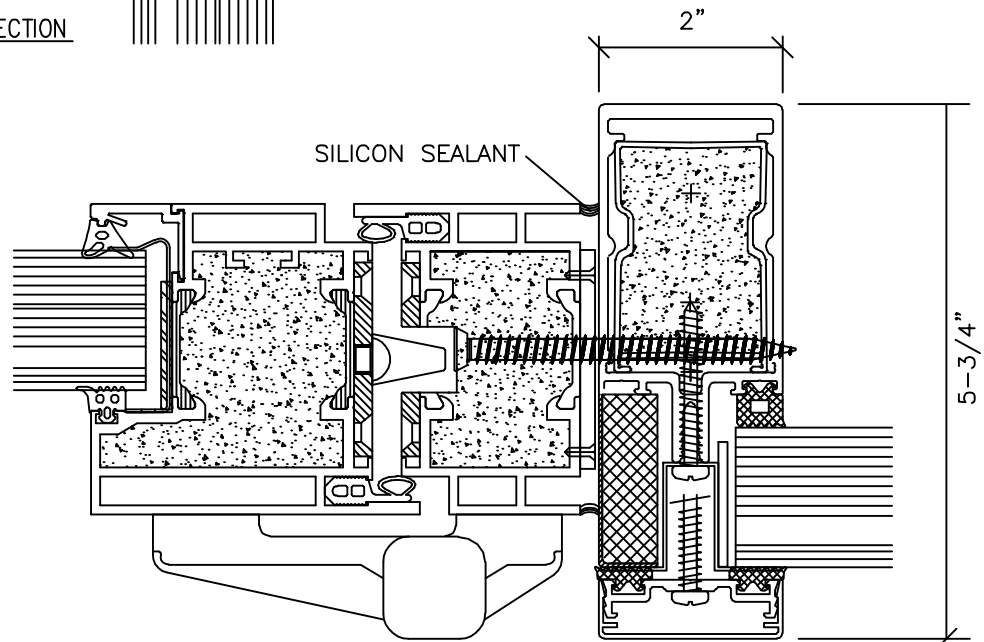
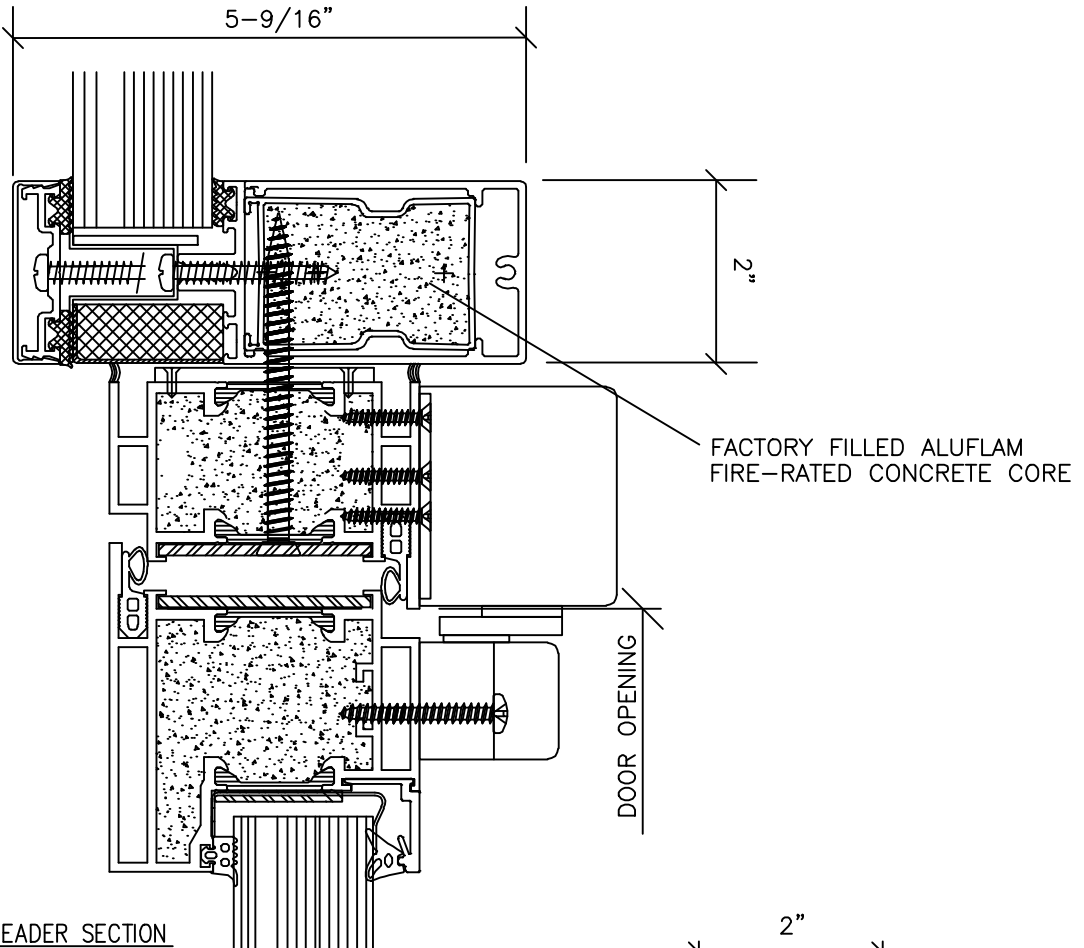
4 HOR. SECTION

4A HOR. SECTION (EXT. INSTALL)  
CONTRAFLAM 60 MIN IGU



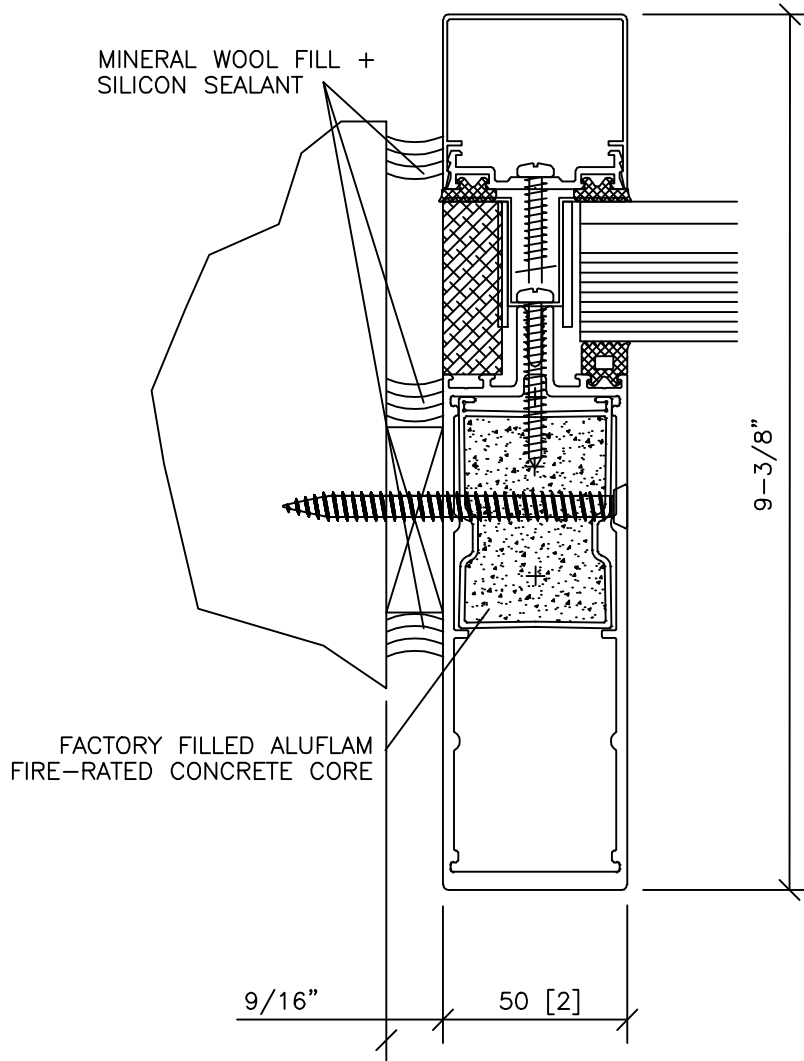
5 LOCKING JAMB SECTION

SCALE: 1/2 FULL SIZE



SCALE: 1/2 FULL SIZE

AVAILABLE DEEPER PROFILE & CAP



SCALE: 1/2 FULL SIZE

