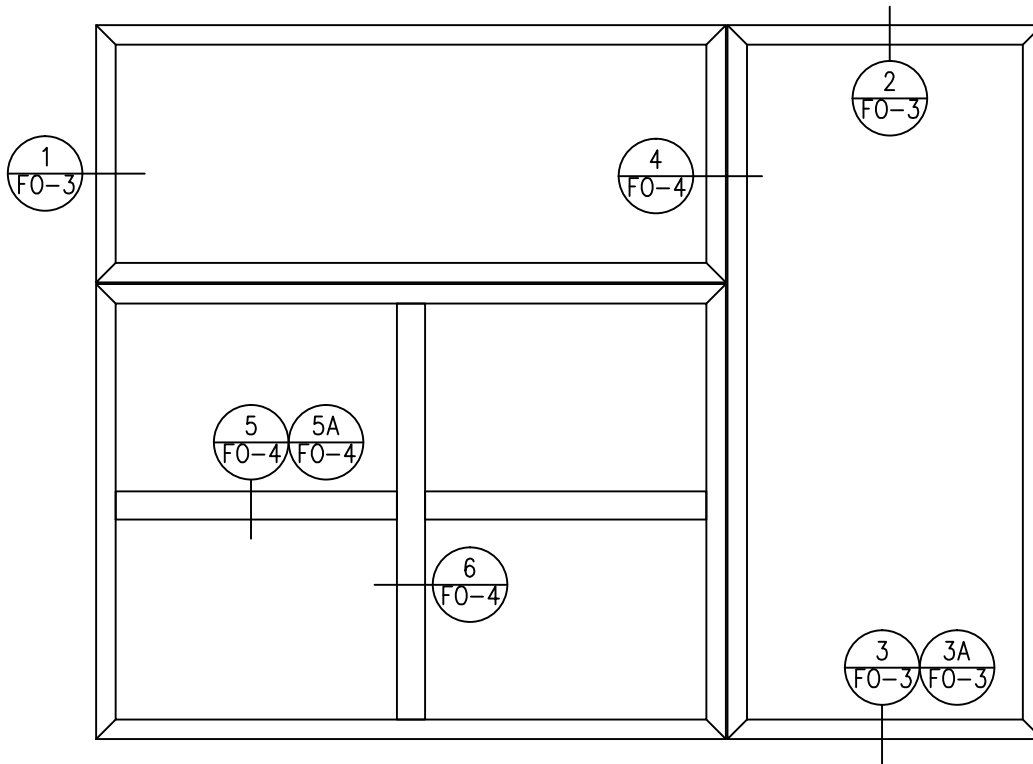
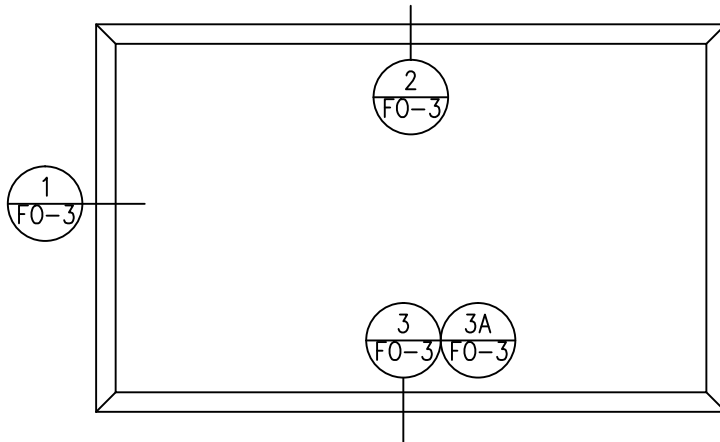


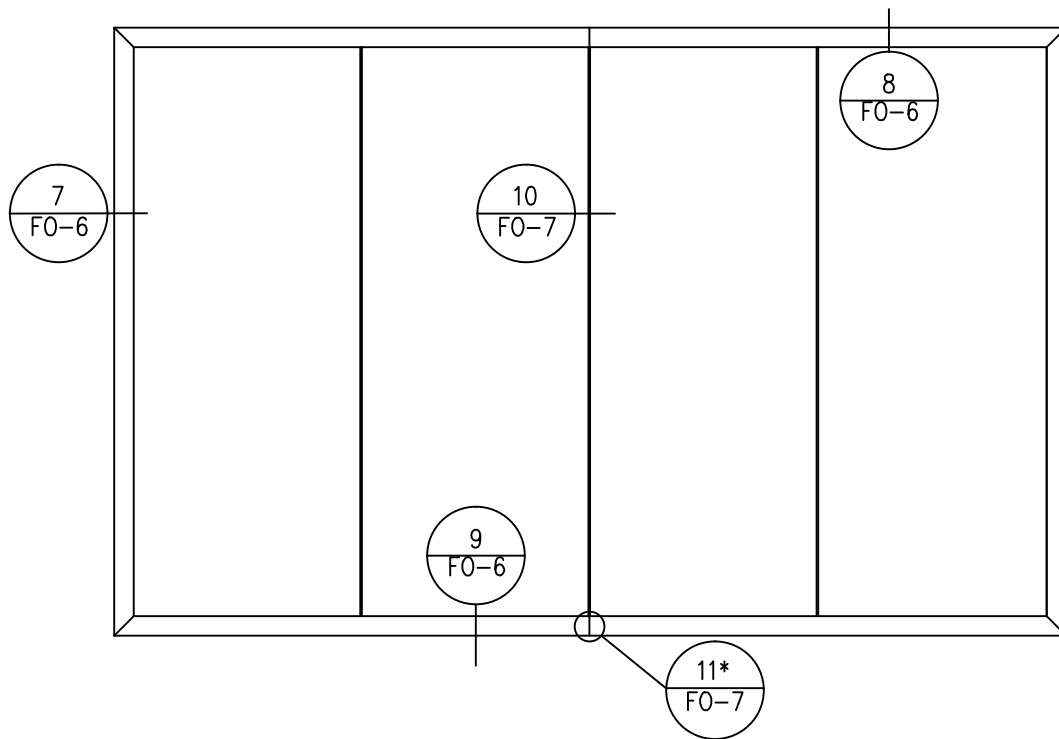
SCALE: NONE

- 2-7/16" Wide x 3-3/8" Deep standard dimensions
- Available in Anodized, Powder Coated and Architectural Painted finishes
- Interior and exterior installation
- Factory finished, assembled, and ready for installation
- Glazing stops to accommodate various glass thicknesses (20/45/60 minute) - see page 5
- Please refer to literature for max. sizes / ratings
- Surface applied muntins are available



SCALE: NONE

****EXAMPLE OF OPTIONAL BUTT GLAZED WALL SYSTEM
(RATED ONLY AT 60 MIN. & FOR INTERIOR APPLICATIONS ONLY)
USES CONTRAFLAM STRUCTURE**



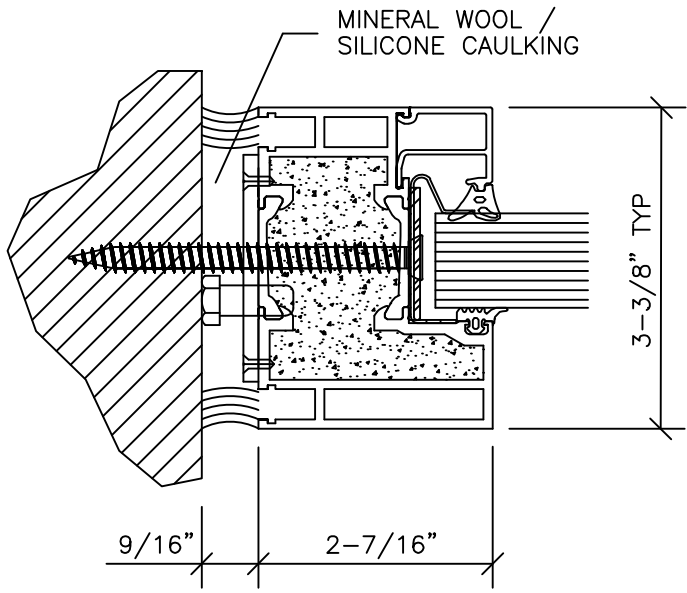
*(CONNECTION NECESSARY IF OVERALL FRAME LENGTH GREATER THAN 7' [84"])

(p) 714.899.3990
(f) 714.899.3993

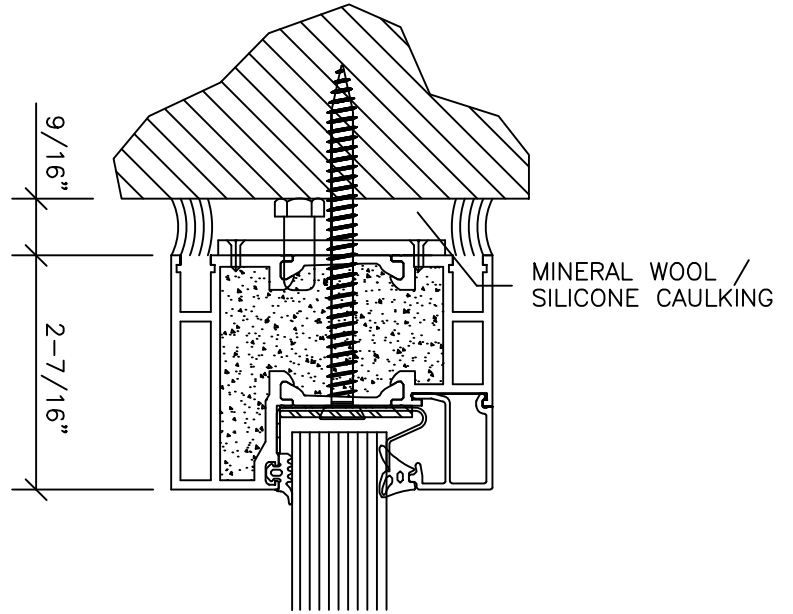
www.aluflam-usa.com



SCALE: 1/2 FULL SIZE

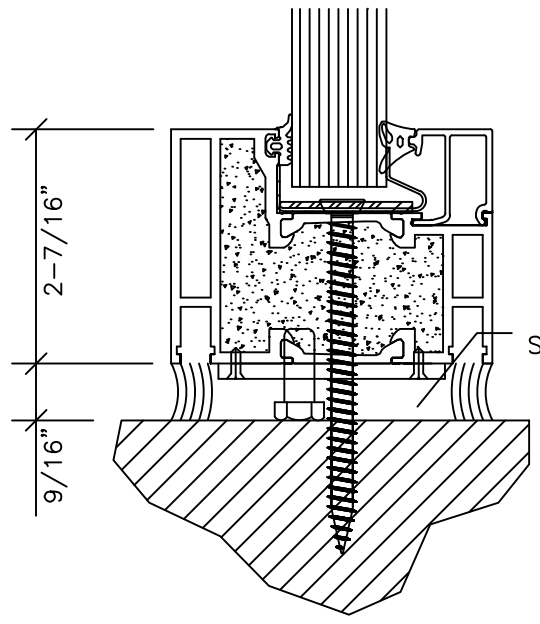


1 VERT. SECTION
60 MIN. GLASS

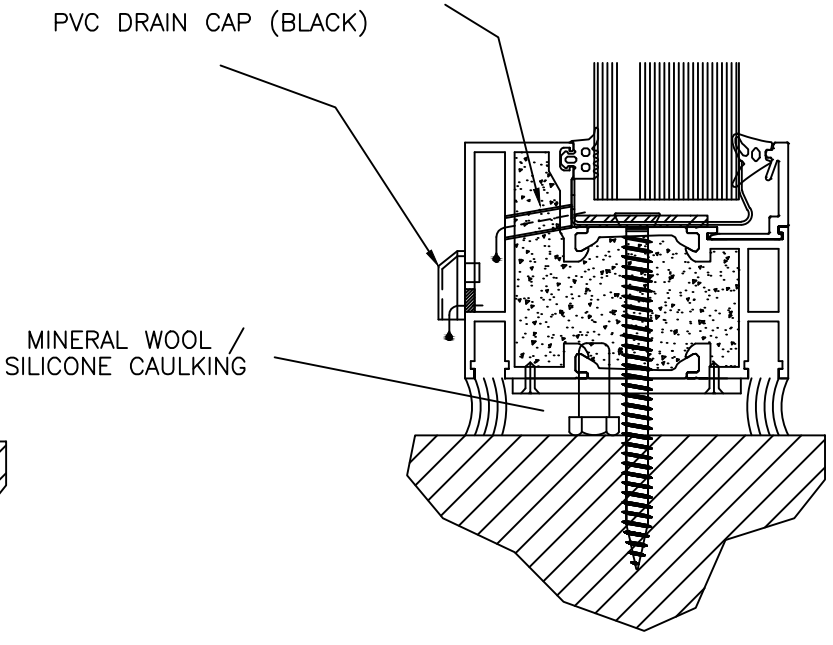


2 HEAD SECTION
60 MIN. GLASS

PVC DRAIN TUBE, DIAMETER 6 [1/4]
PVC DRAIN CAP (BLACK)



3 SILL SECTION
60 MIN. GLASS



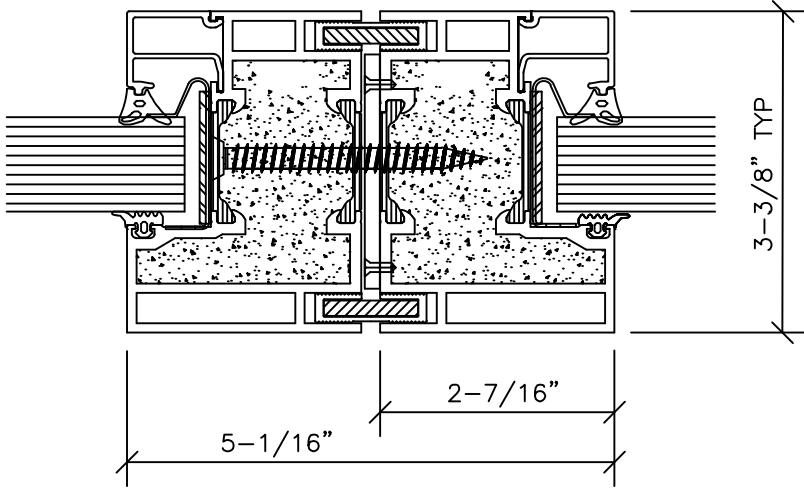
3A SILL SECTION (FOR EXTERIOR INSTALL)
60 MIN. GLASS

(p) 714.899.3990
(f) 714.899.3993

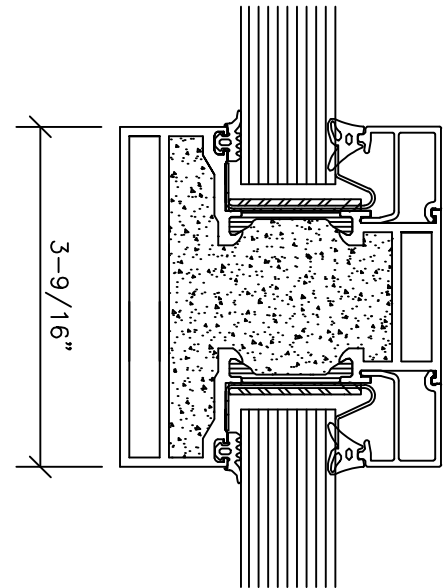
www.aluflam-usa.com



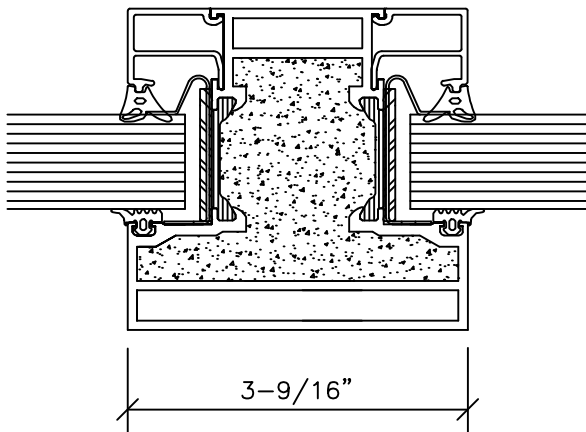
SCALE: 1/2 FULL SIZE



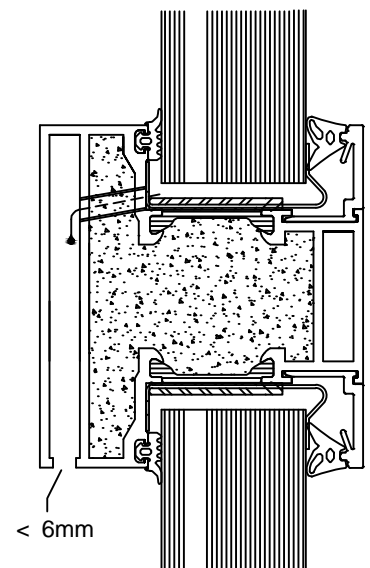
4 SEGMENTED MULLION SECTION
60 MIN. GLASS



5 HOR. MULLION SECTION
60 MIN. GLASS



6 VERT. MULLION SECTION
60 MIN. GLASS



5A HOR. MULLION SECTION (FOR EXTERIOR INSTALL)
60 MIN. GLASS

SCALE: 1/2 FULL SIZE

GLAZING CONFIGURATIONS

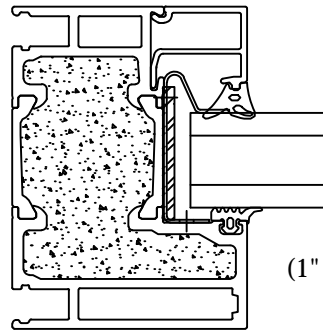
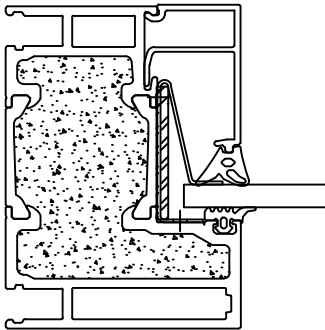
INTERIOR

EXTERIOR

(INSULATED GLASS UNITS)

20 Min. Rating - w Pyroswiss US

20 Min. Rating - w Pyroswiss US IGU

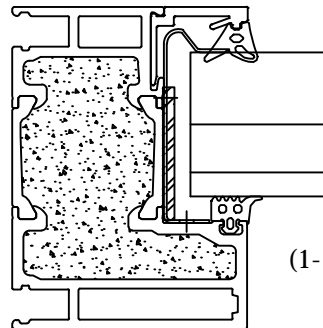
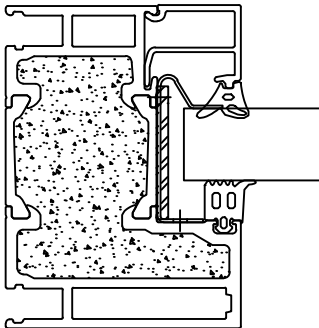


- 1/4" SGG Pyroswiss US
- 1/2" Air Space
- 1/4" Hardcoat Low-E Outboard Lite

(1" Overall Glass Thickness)

45 Min. Rating - w Swissflam 45

45 Min. Rating - w Swissflam 45 IGU

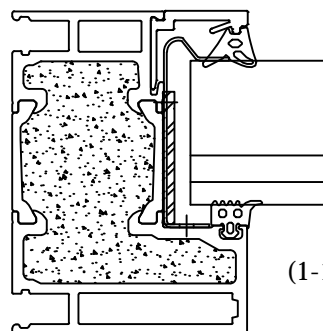
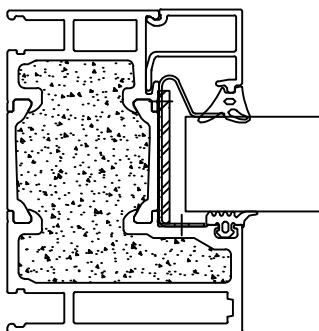


- 3/4" SGG Swissflam 45 N2
- 1/2" Air Space
- 1/4" Hardcoat Low-E Outboard Lite

(1-1/2" Overall Glass Thickness)

60 Min. Rating - w Contraflam 60

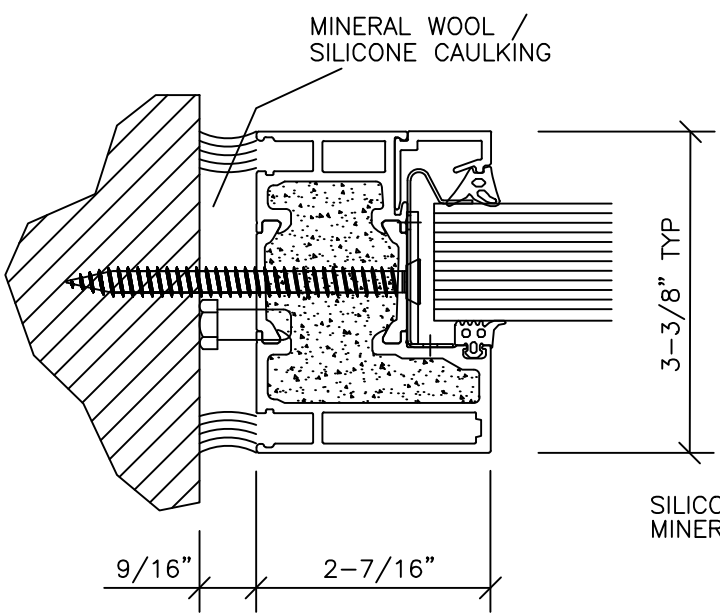
60 Min. Rating - w Contraflam 60 IGU



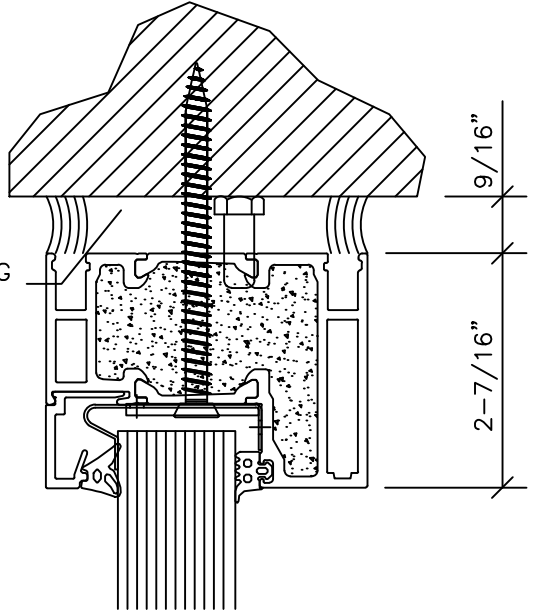
- 1" SGG Contraflam 60 N2
- 1/4" Air Space
- 1/4" Hardcoat Low-E Outboard Lite

(1-1/2" Overall Glass Thickness)

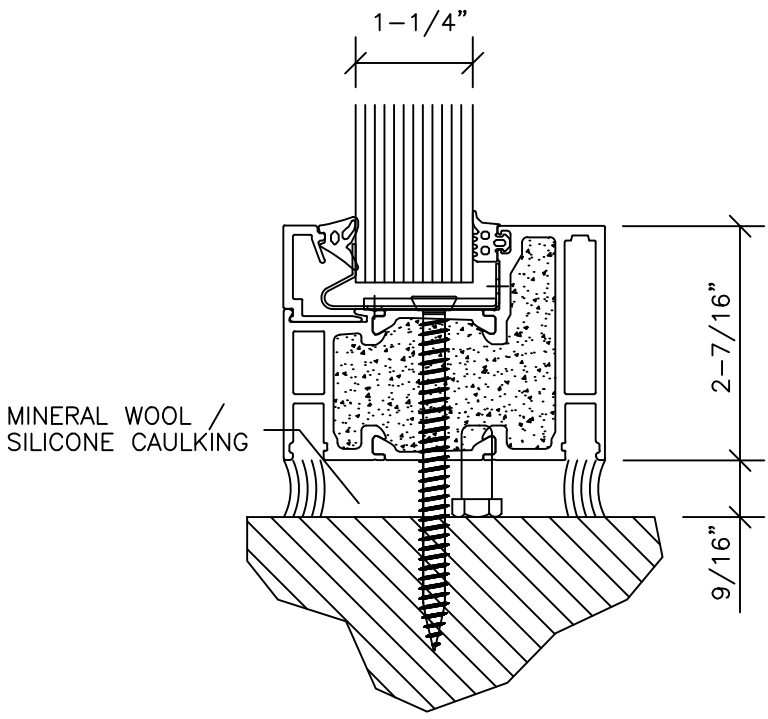
SCALE: 1/2 FULL SIZE



7 VERT. SECTION
60 MIN. CONTRAFLAM STRUCTURE

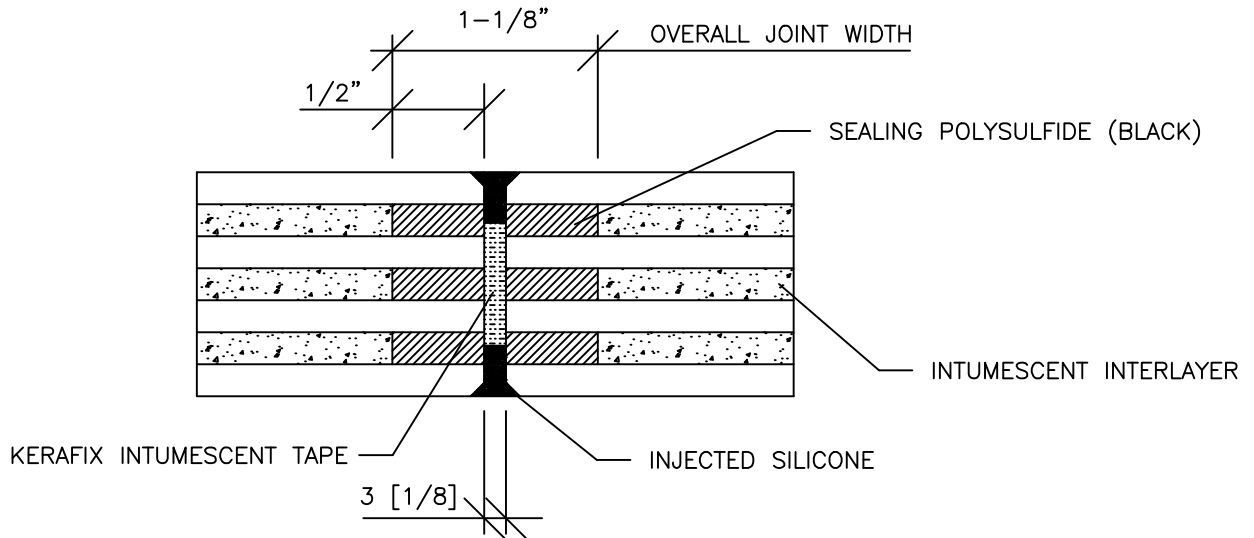


8 HEAD SECTION
60 MIN. CONTRAFLAM STRUCTURE

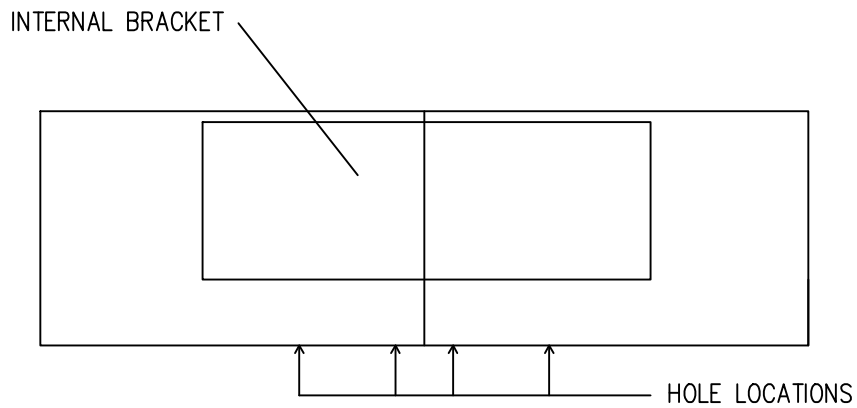


9 SILL SECTION
60 MIN. CONTRAFLAM STRUCTURE

SCALE: 1/2 FULL SIZE



10 BUTT GLAZED JOINT SECTION
60 MIN. CONTRAFLAM STRUCTURE



11 STRAIGHT JOINT CONNECTION (*IF NECESSARY)
60 MIN. CONTRAFLAM STRUCTURE