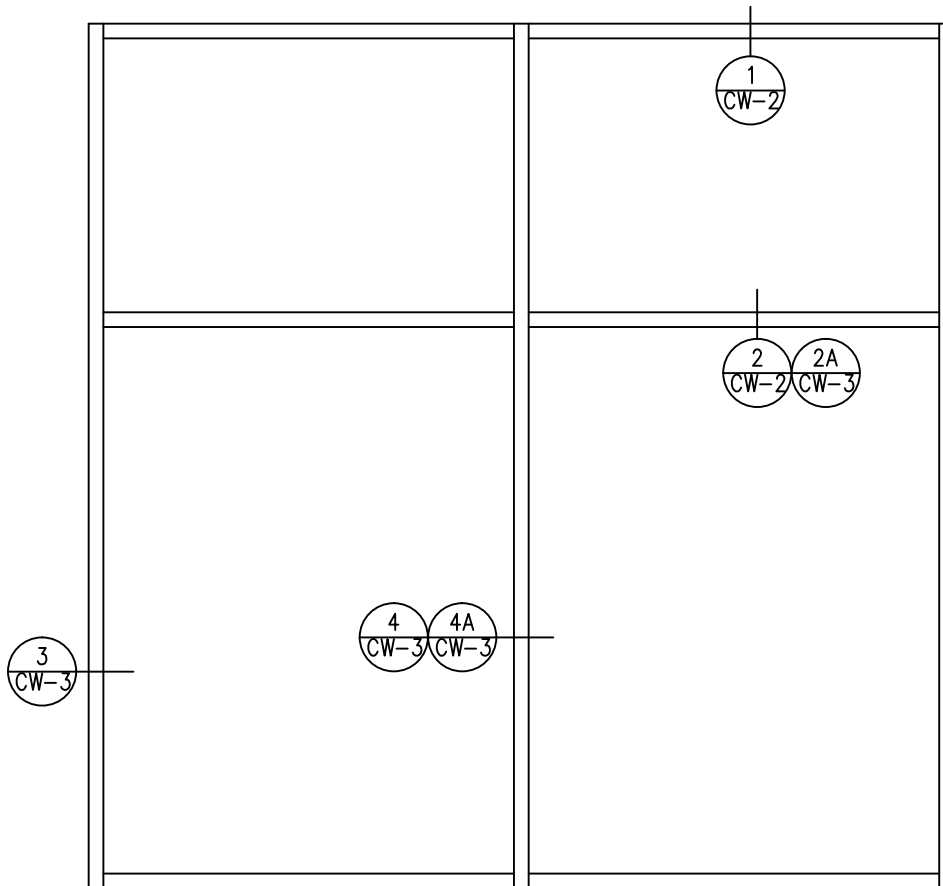




SCALE: NONE

- 2 3/8" x 6-1/4" standard framing members
- Available in Anodized, Powdercoated & Architectural Painted finishes
- Interior and exterior installation
- Delivered fully assembled - or segmented for ease of transport/handling
- 120 minute rated per UL263
- Please refer to literature for max. sizes / ratings
- Also available: 120 min aluminum panel for end of slab conditions, etc.

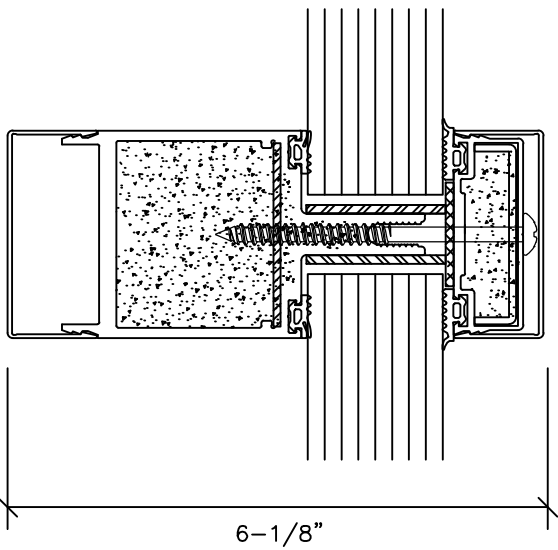
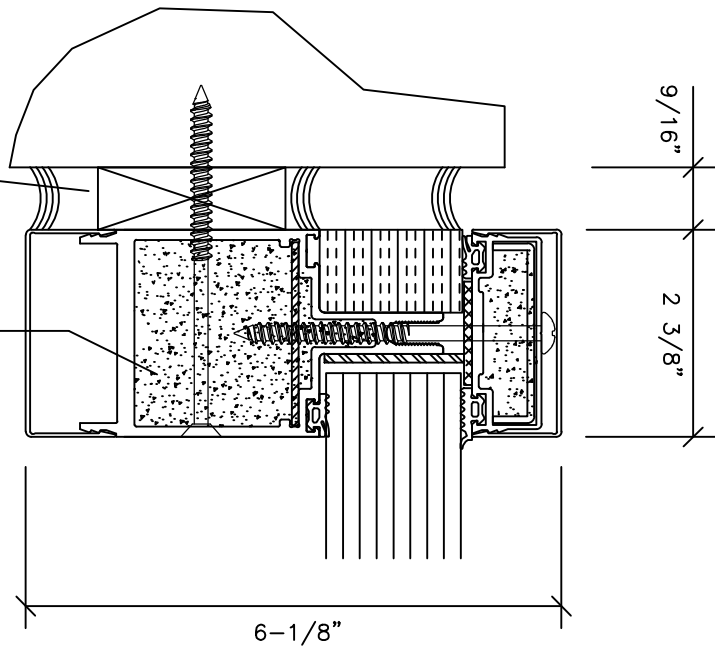




SCALE: 1/2 FULL SIZE

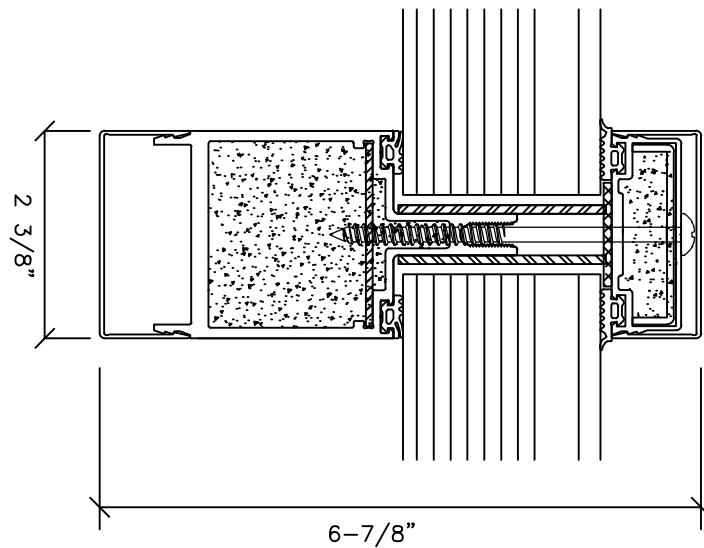
SILICONE CAULKING
MINERAL WOOL /
FIRE-RATED CONCRETE CORE
FACTORY FILLED ALUFLAM

1 HEAD SECTION



2 HOR. SECTION

2A HOR. SECTION (EXT. INSTALL)
CONTRAFLAM 120 MIN IGU



SCALE: 1/2 FULL SIZE

