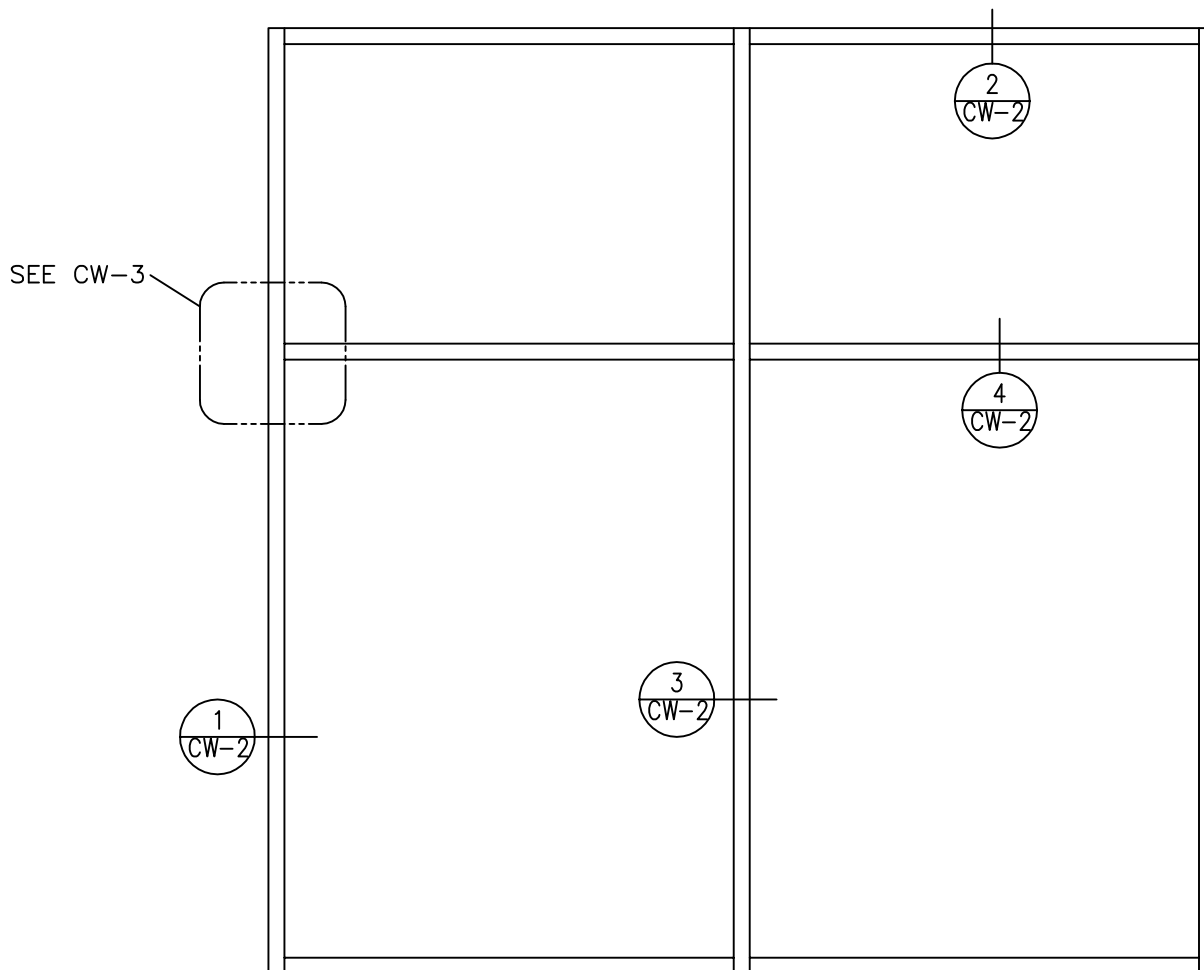


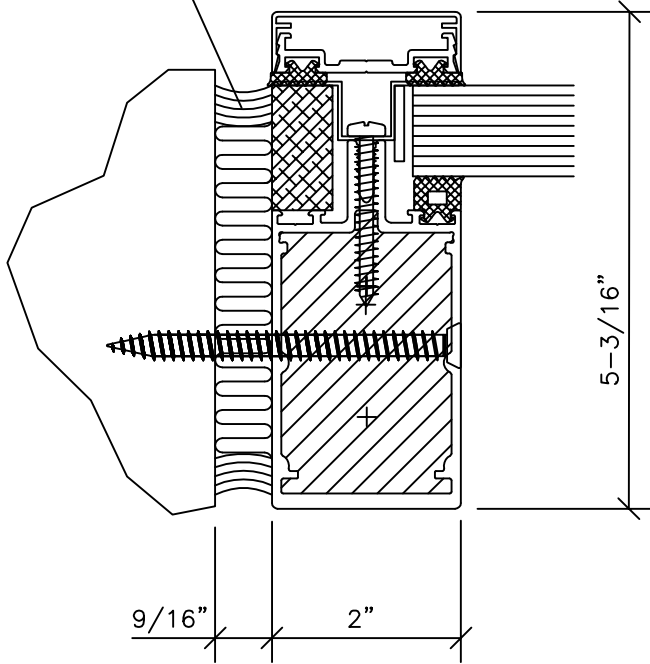
SCALE: NONE

- 2" x 5-3/16" standard framing members
- Custom sized openings to match design requirements
- Thermally broken - proprietary cement filler
- Available in anodized and powder coated epoxy finishes
- Interior and exterior glazing
- Delivered fully assembled - or segmented for ease of transport/handling
- 60 minute rated per UL263
- Please refer to literature for max. sizes / ratings

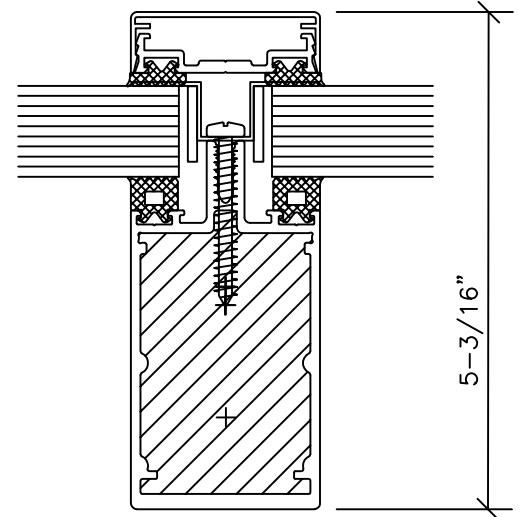


SCALE: 1/2 FULL SIZE

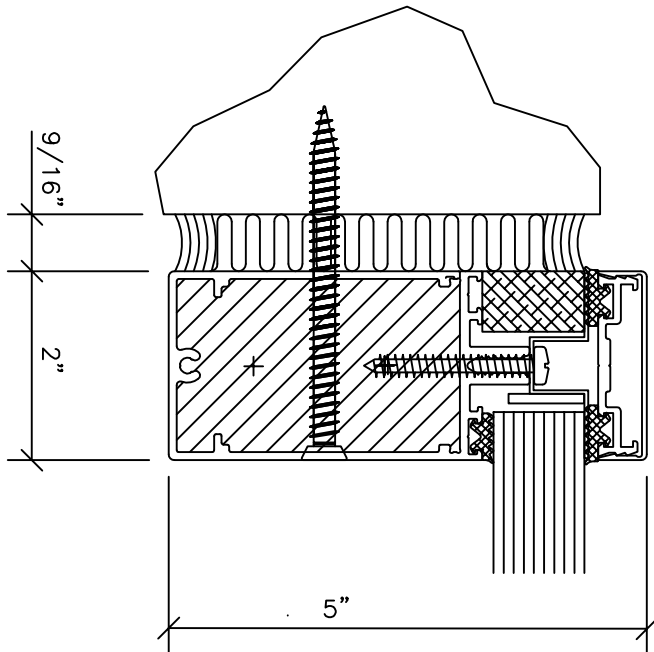
MINERAL WOOL /
SILICONE CAULKING



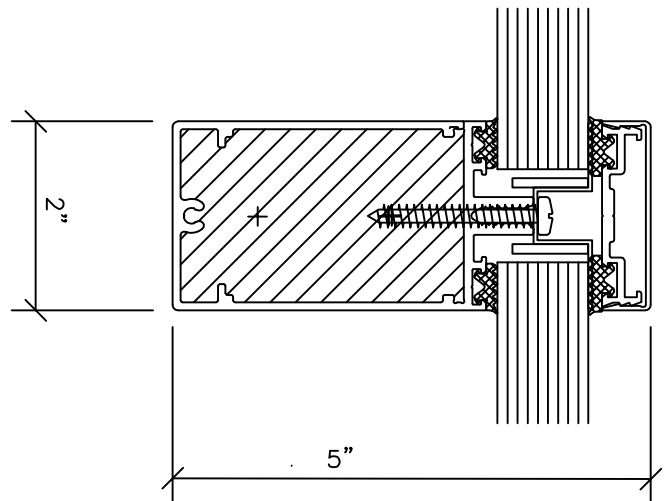
1 JAMB SECTION



3 VERT. SECTION



2 HEAD SECTION



4 HOR. SECTION

SCALE: 1/2 FULL SIZE

