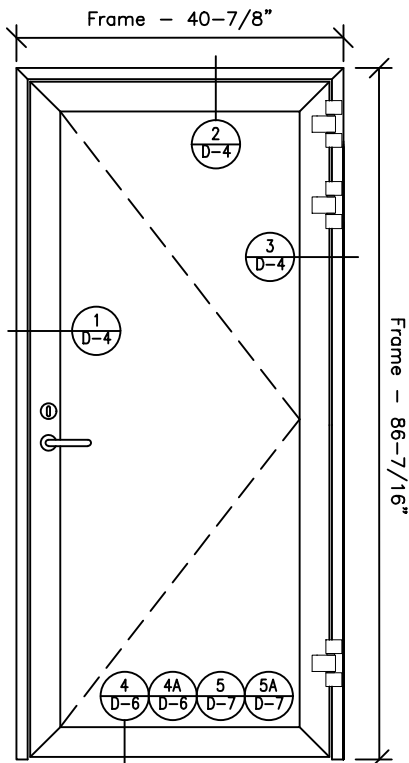


SCALE: NONE

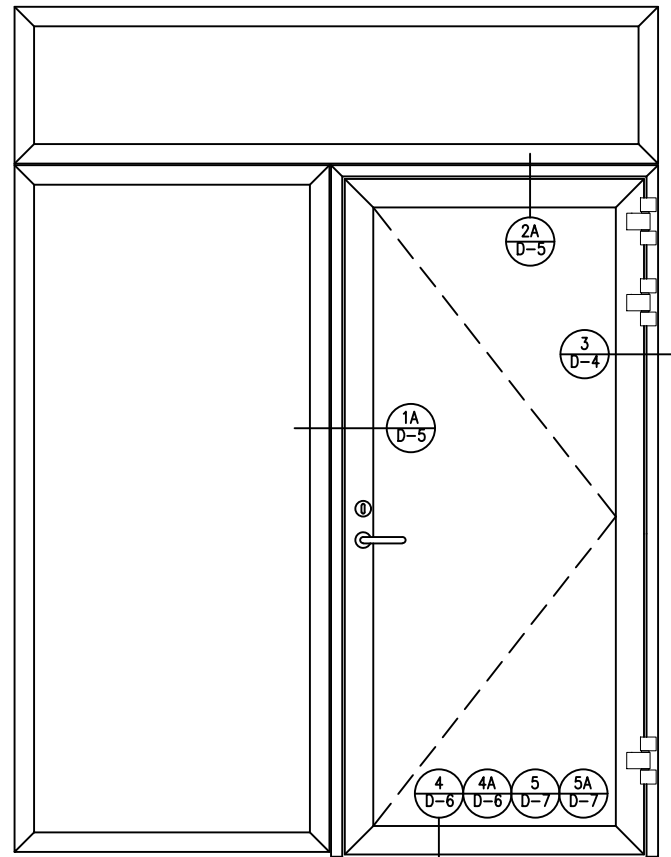
- 3-3/8" standard thickness
- Maximum door opening:
 - 3'0x8'0 (SD) / 3'6x7'6 (SD)
 - 6'0x8'0 (DD)
- Available in Anodized, Powdercoated and Architectural Painted finishes
- Interior and exterior installation
- Factory finished, assembled, and ready for installation
- Glazing stops to accommodate various glass thickness – (20/45/60 minute) – see pg 12
- Door frames integrate with Aluflam Storefront & Curtainwall Systems for sidelites/transoms.

- 60 Min & lower rated Heat Barrier Doors are heavy and closers adjusted to meet reduced opening force requirements may not be adequate to close & latch doors reliably. Opening force of closers that are adjusted to close/latch doors reliably could be 15lbs, or more, depending on conditions. If this is a concern, use of an operator or power assist closer should be considered.

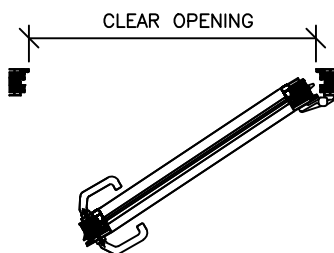
Frame Size for standard 3'0 x 7'0 SD



Single Door (SD)
(RHR shown)



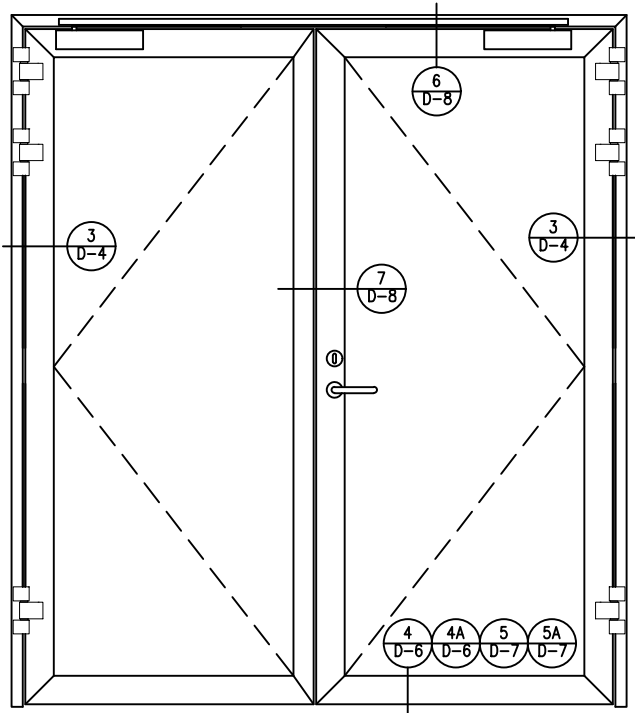
Door Shown w/ transom
& Sidelite



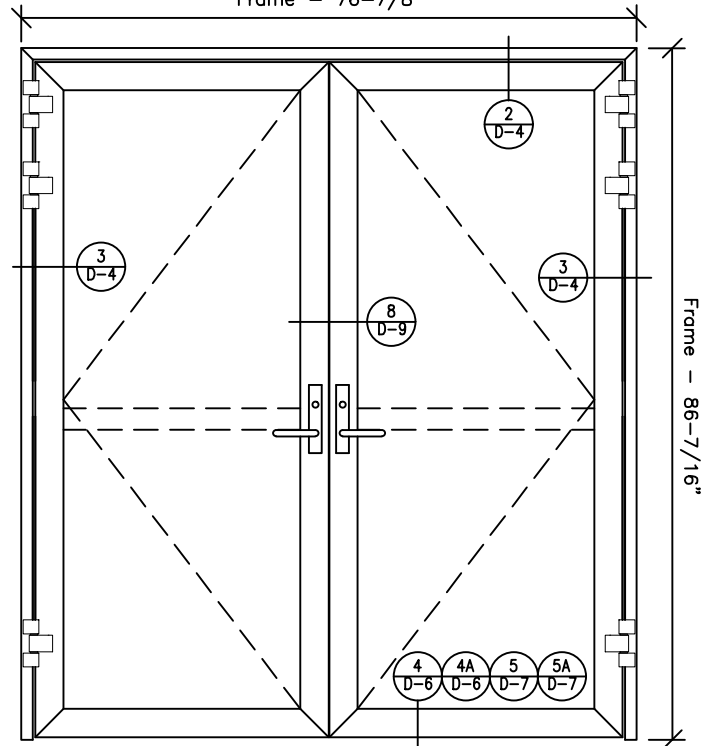
SCALE: NONE

Frame Size for standard 6'0 x 7'0 DD-AA

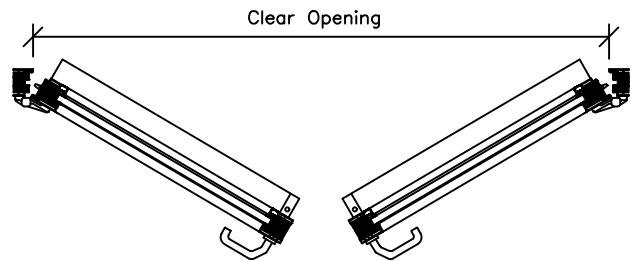
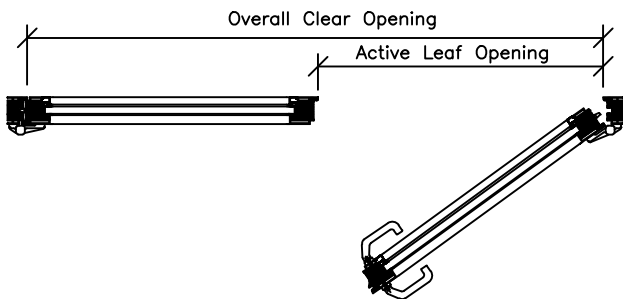
Frame – 76-7/8"



Double Door – Active/Fixed (DD-AF)
(RHR shown)

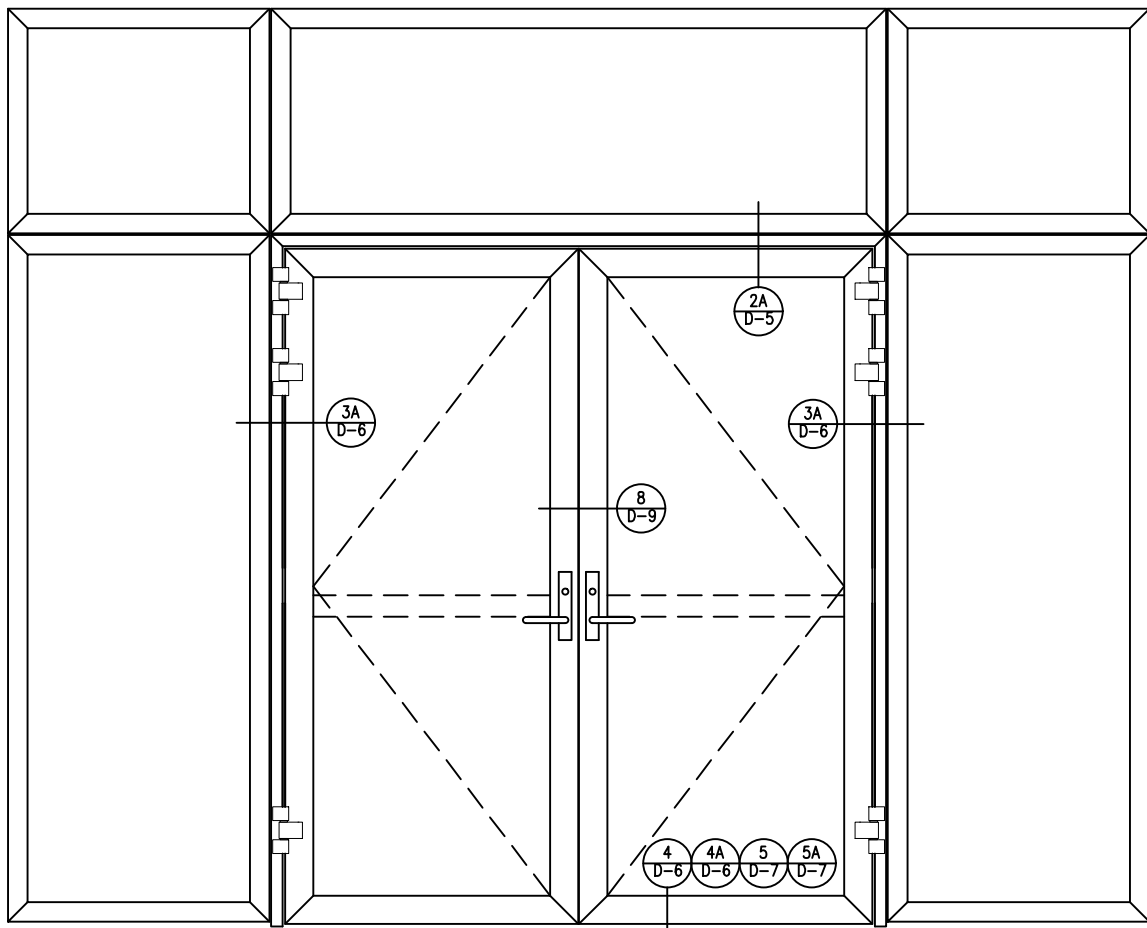


Double Door – Active/Active (DD-AA)
(LHR/RHR shown)

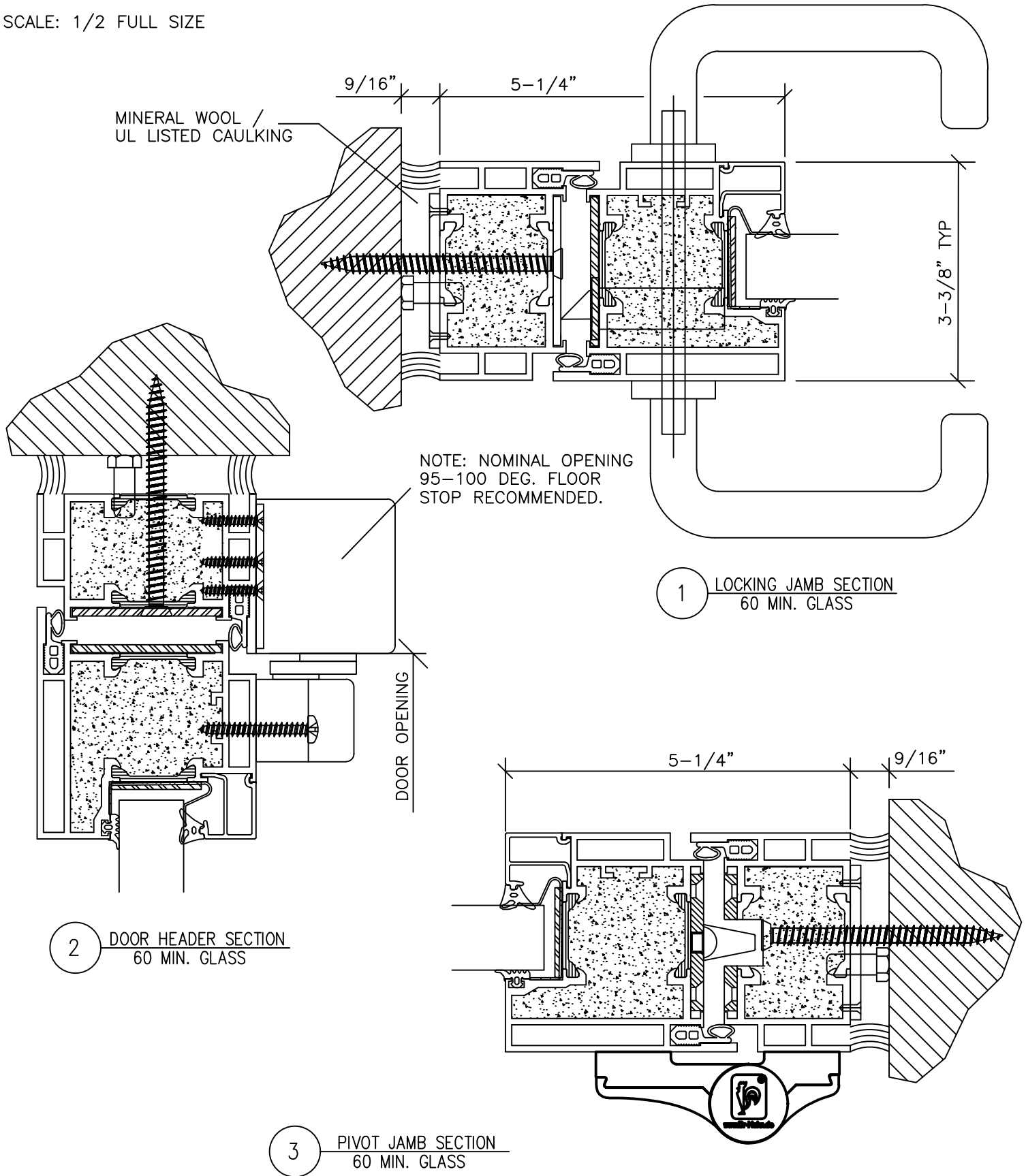


SCALE: NONE

Doors Shown w/ transom
& Sidelite(s)



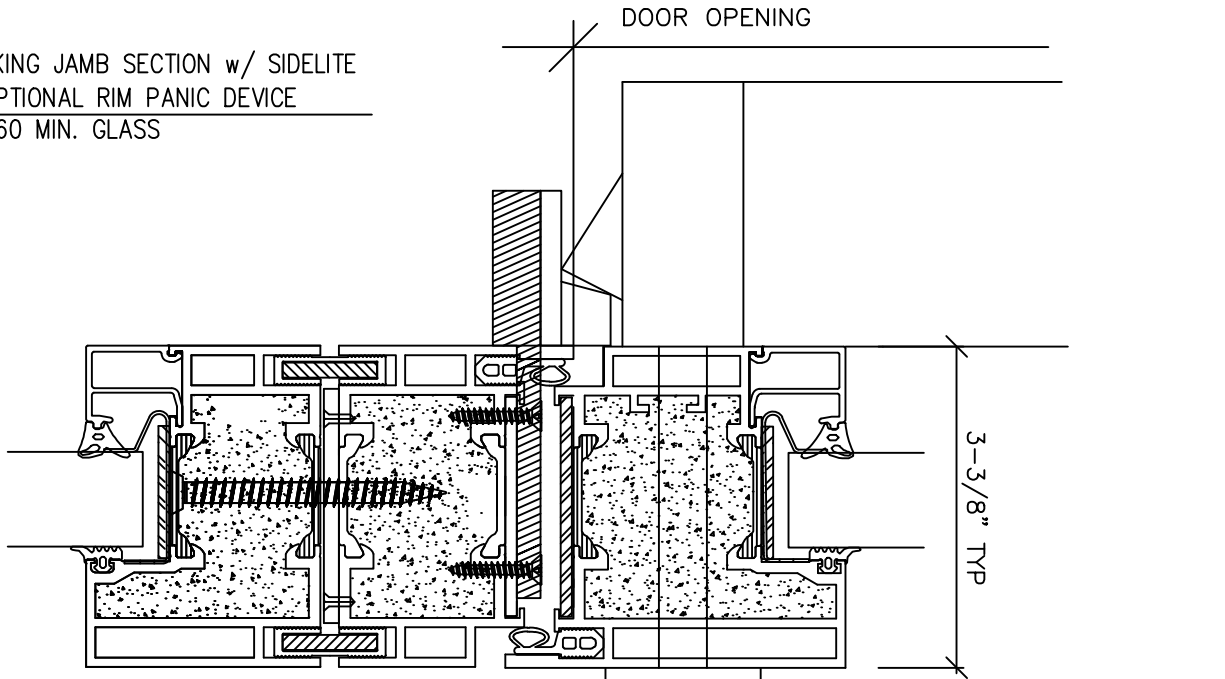
SCALE: 1/2 FULL SIZE



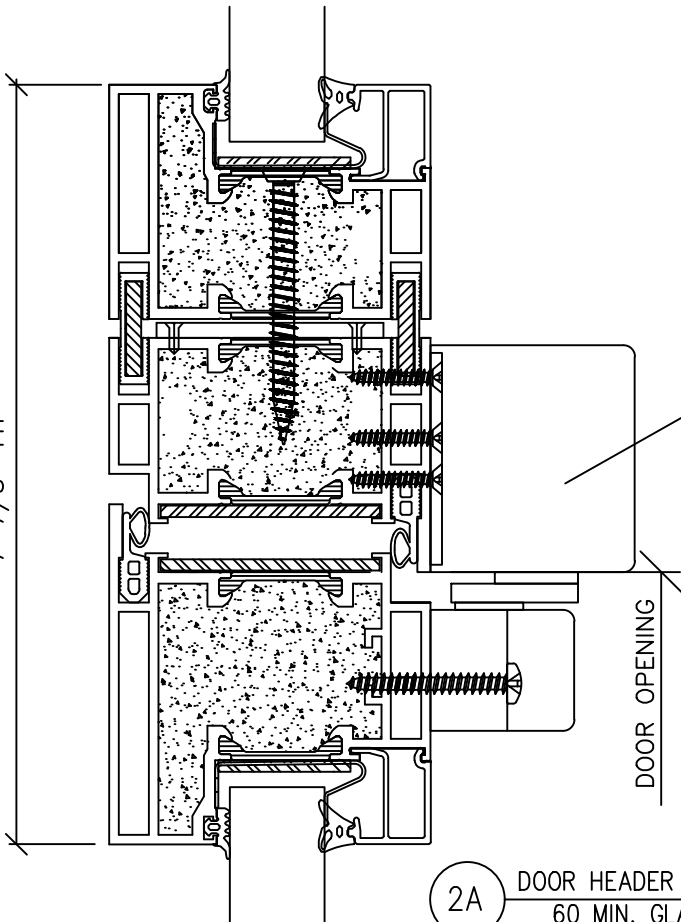
SCALE: 1/2 FULL SIZE

1A

LOCKING JAMB SECTION w/ SIDELITE
& OPTIONAL RIM PANIC DEVICE
60 MIN. GLASS



7-7/8\" data-bbox="39 673 61 750"/>

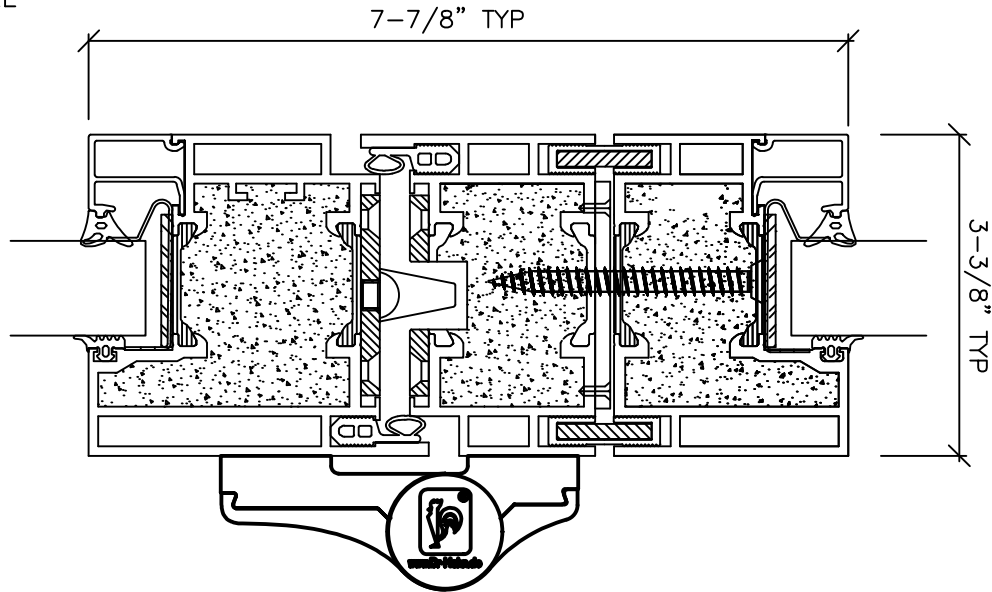


NOTE: NOMINAL OPENING
95-100 DEG. FLOOR
STOP RECOMMENDED.

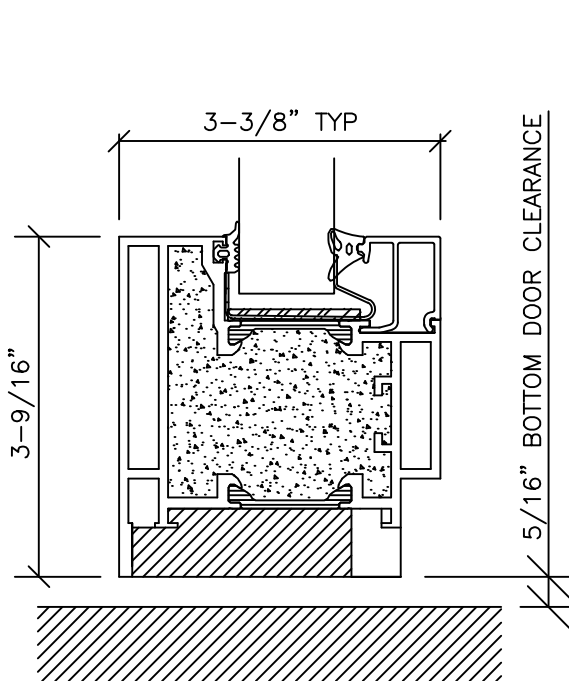
2A

DOOR HEADER SECTION w/TRANSOM
60 MIN. GLASS

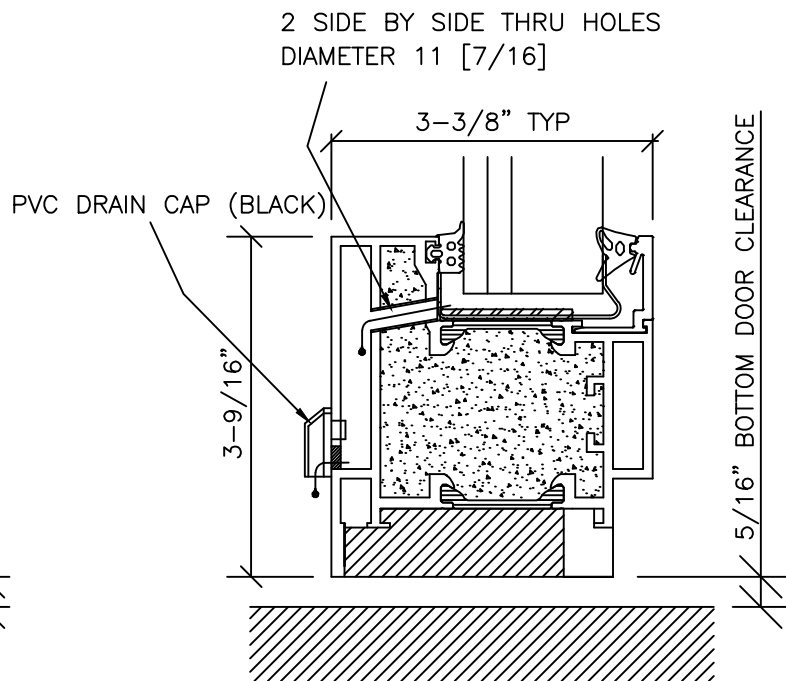
SCALE: 1/2 FULL SIZE



3A PIVOT JAMB SECTION w/ SIDELITE
60 MIN. GLASS

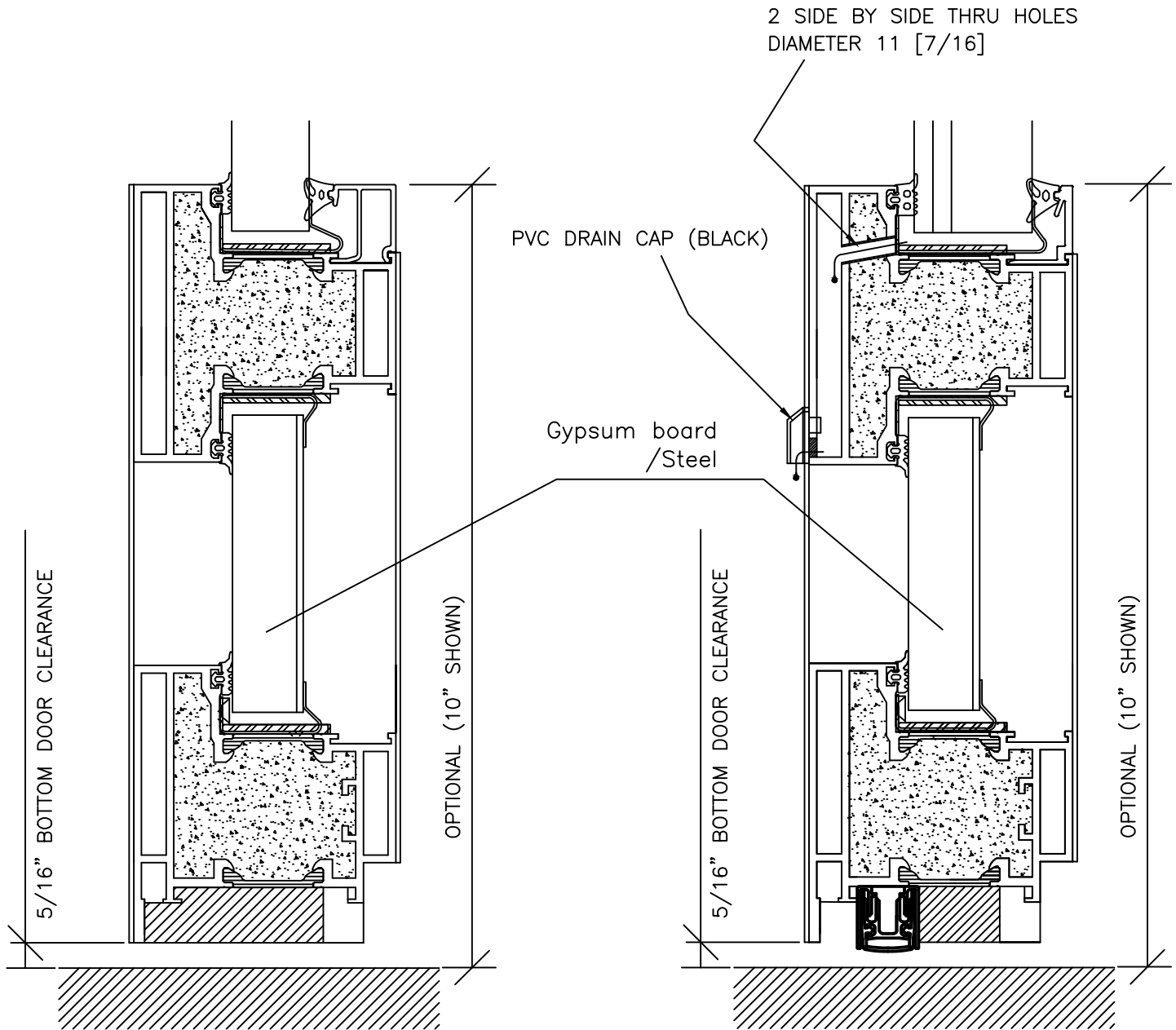


4 BOTTOM DOOR RAIL SECTION
60 MIN. GLASS



4A BOTTOM DOOR RAIL SECTION (FOR EXT. INSTALL)
60 MIN. GLASS

SCALE: 1/2 FULL SIZE



OPTION

5

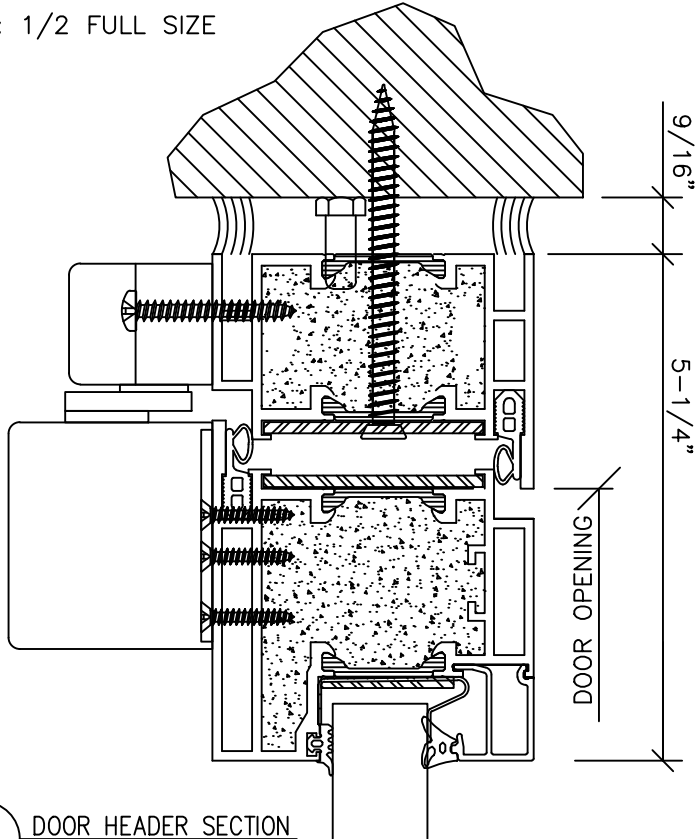
BOTTOM DOOR RAIL SECTION
60 MIN. GLASS

OPTION

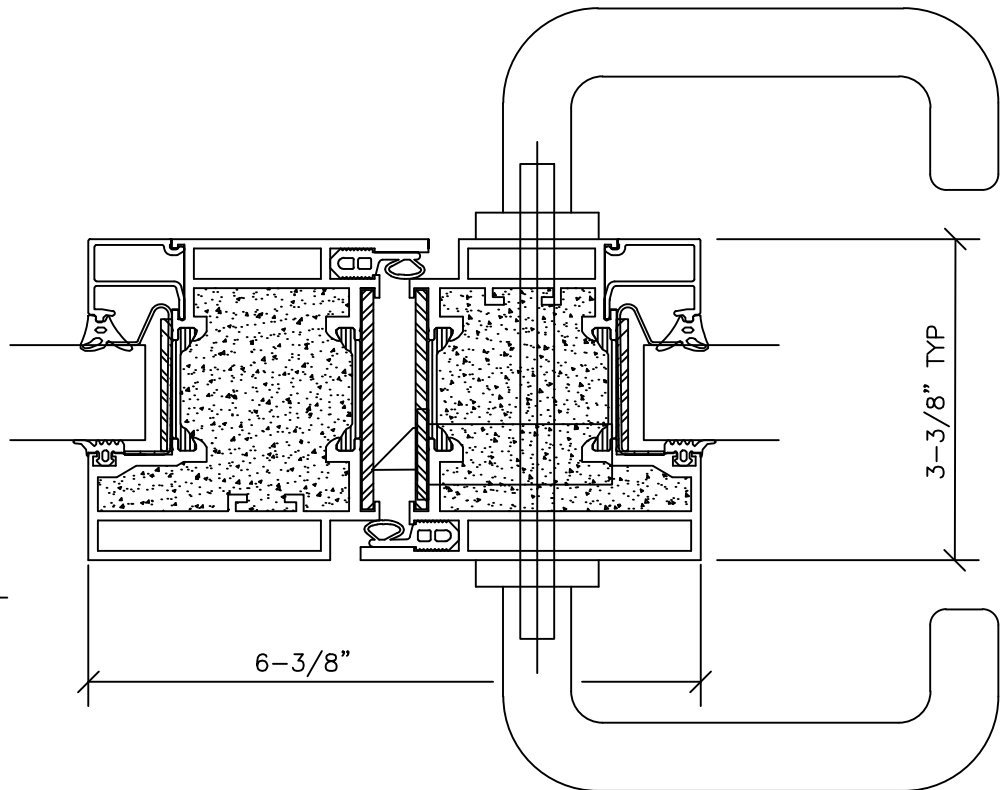
5A

BOTTOM DOOR RAIL SECTION SHOWN W/
AUTO FLOOR SEAL & DRAINAGE FOR EXTERIOR INSTALL
60 MIN. GLASS

SCALE: 1/2 FULL SIZE



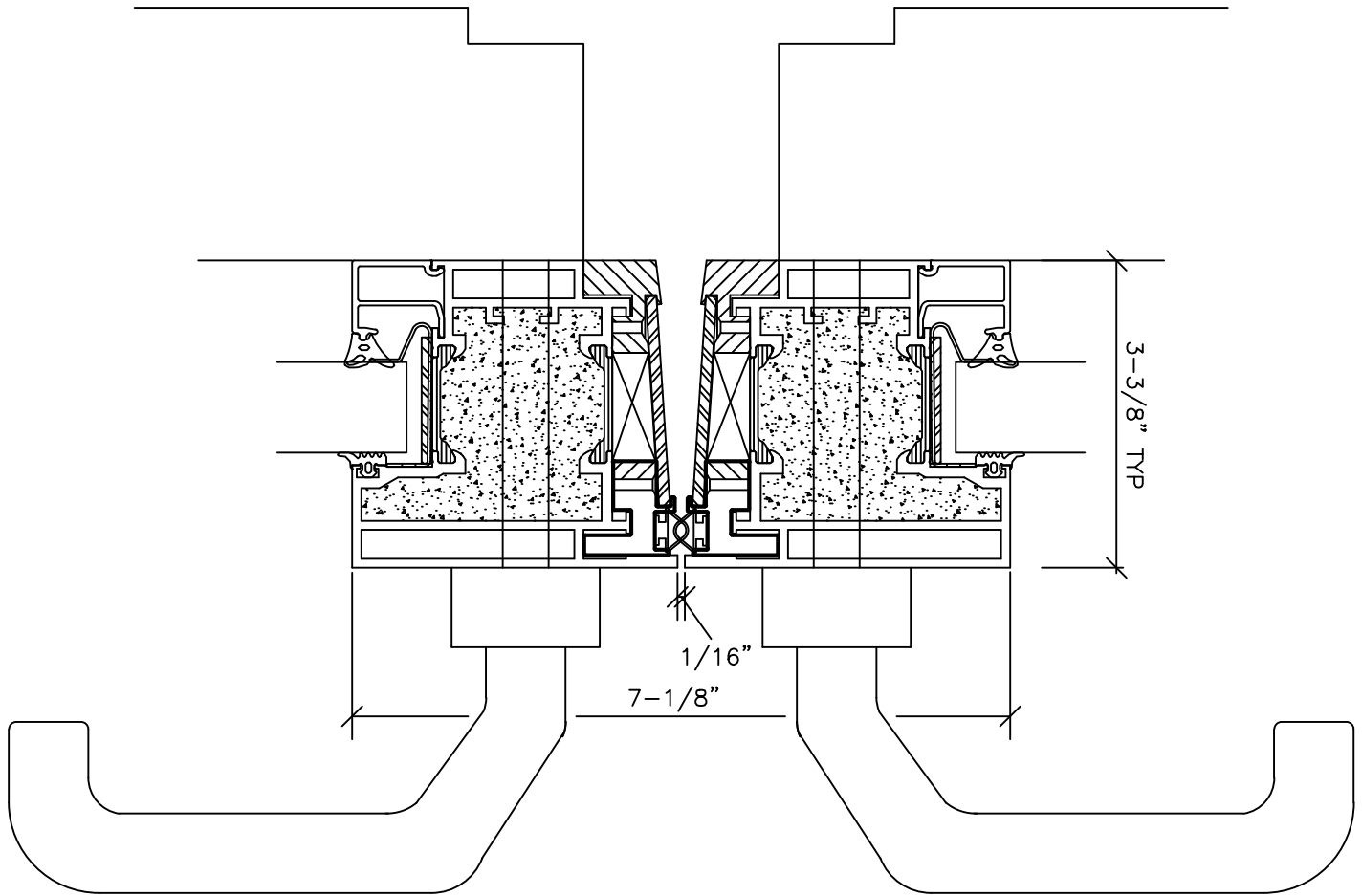
6 DOOR HEADER SECTION
60 MIN. GLASS



7 MEETING STILE SECTION
60 MIN. GLASS



SCALE: 1/2 FULL SIZE



8 MEETING STILE SECTION
60 MIN. GLASS



STANDARD HARDWARE SETS

SD (SINGLE DOOR)

- [1] Surface Track Closer – Dorma TS93-15ST
- [3] Offset Pivots, Aluminum – Dr. Hahn M951 Turband 4 Series
- [1] Mortise Lock – Accurate 8656 1-1/4" US32D
- [1] Swivel Spindle – Accurate Custom
- [2] Lever, Satin Stainless – FSB 1080-003-6204
- [2] Rose, Satin Stainless – FSB 1758-0301-6204
- [1] Mortise Cylinder, Schlage "C" Keyway – Baldwin 8324/8330 Series
- [1] Cylinder Ring, Satin Stainless – FSB 0450-9001-6204
- [2] 10" Aluminum Kickplates
- [1] Auto Floor Seal/Door Bottom – Planet MF
- [1] Set of Gaskets/Seals

(OPTIONS)

- Rim Exit Device – Dorma F9700 Series w/ Lever Trim
- Electric Strike – Von Duprin 6226 24 VDC (w/ mortise lock ONLY)
- Electric Function on panic w/ Electric Power Transfer (VD EPT2/10)

DD-AF (DOUBLE DOOR, ACTIVE/FIXED)

- [1] Surface Closer/Coordinator – Dorma TS93-15-GSR
- [6] Offset Pivots, Aluminum – Dr. Hahn M951 Turband 4 Series
- [1] Mortise Lock – Accurate 8656 1-1/4" US32D
- [1] Swivel Spindle – Accurate Custom
- [2] Lever, Satin Stainless – FSB 1080-003-6204
- [2] Rose, Satin Stainless – FSB 1758-0301-6204
- [1] Mortise Cylinder, Schlage "C" Keyway – Baldwin 8324/8330 Series
- [1] Cylinder Ring, Satin Stainless – FSB 0450-9001-6204
- [1] Internal Flush Bolt Assembly – BKS-B1899/1895 (Top of In-Active Leaf ONLY)
- [4] 10" Aluminum Kickplates
- [2] Auto Floor Seals/Door Bottoms – Planet MF
- [1] Set of Gaskets/Seals

(OPTIONS)

- Rim Exit Device – Dorma F9700 Series w/ Lever Trim
- Electric Strike – Von Duprin 6226 (w/ mortise lock ONLY)
- Electric Function on panic w/ Electric Power Transfer (VD EPT2/10)

* Von Duprin 33/35, Sargent 8500 & Falcon 24 Series Narrow Stile RIM Exit Devices are available at additional cost & lead time.

DD-AA (DOUBLE DOOR, ACTIVE/ACTIVE)

- [2] Surface Track Closer – Dorma TS93-15ST
- [6] Offset Pivots, Aluminum – Dr. Hahn M951 Turband 4 Series
- [2] Surface Vertical Rod (SVR-Top Rod ONLY) Panics w/ Lever Trim – Dorma F9800 Series
- [2] Mortise Cylinder, Schlage "C" Keyway
- [4] 10" Aluminum Kickplates
- [2] Auto Floor Seals/Door Bottoms – Planet MF
- [1] Set of Gaskets/Seals

(OPTIONS)

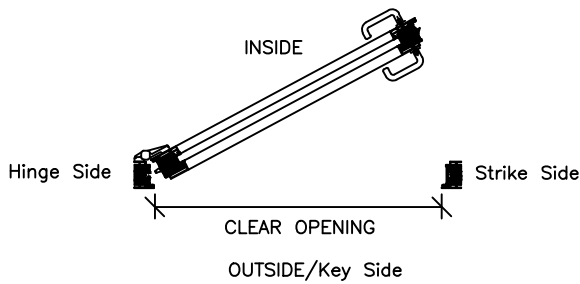
- Electric Function on panic w/ Electric Power Transfer (VD EPT2/10)
- * Von Duprin 33/35 Series SVR Exit Devices are available at additional cost & lead time.

* Any additional hardware not listed here is not required for Fire rating and if desired, would be "By Others" *

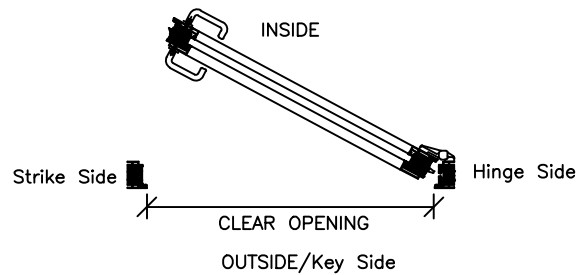
- These lists contain ALUFLAM's standard packages and most commonly specified hardware options
- SCHLAGE "C" Keyway is standard unless otherwise specified – Other options are available
- Please inquire about additional options
- See Accurate literature for available mortise lock functions (www.accurate.to)
- See FSB literature for optional lever trim designs (www.fsbna.com)

* Dorma TS93 Narrow profile Track type closer used with Curtainwall System or limited above door frame clearance. Note limited opening angle, range of approximately 95 degrees. – Floor stop recommended

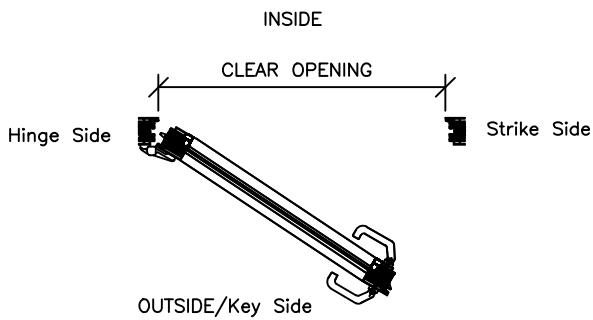
ANSI A250.7–1997 Door Handing Chart



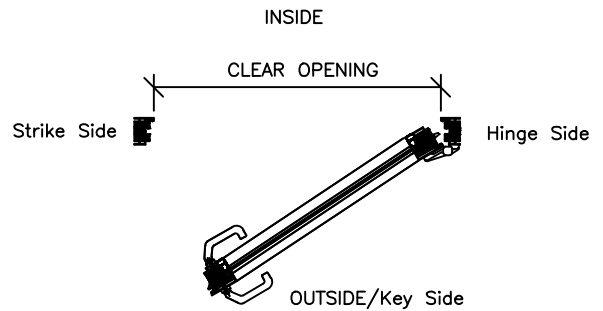
LEFT HAND DOOR (SWING IN)



RIGHT HAND DOOR (SWING IN)



LEFT HAND REVERSE (SWING OUT)



RIGHT HAND REVERSE (SWING OUT)

SCALE: 1/2 FULL SIZE

GLAZING CONFIGURATIONS

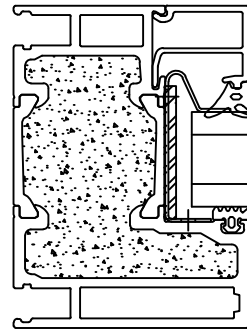
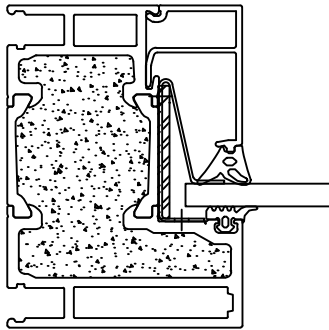
INTERIOR

EXTERIOR

(INSULATED GLASS UNITS)

20 Min. Rating - w Pyroswiss US

20 Min. Rating - w Pyroswiss US IGU



1/4" Pyroswiss US

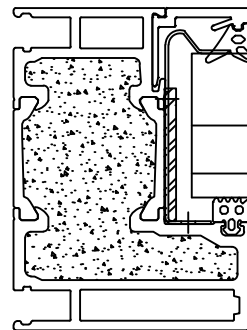
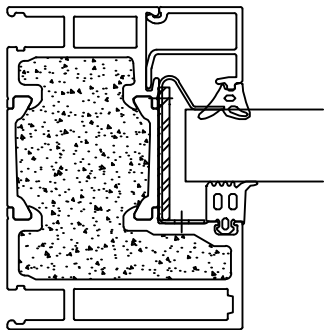
1/2" Air Space

1/4" Hardcoat Low-E Outboard Lite

(1" Overall Glass Thickness)

45 Min. Rating - w Contraflam 45

45 Min. Rating - w Contraflam 45 IGU



7/8" Contraflam 45

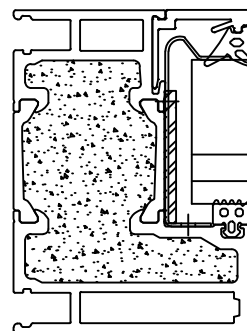
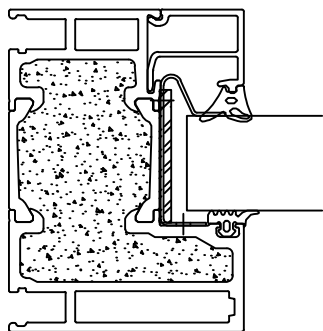
1/2" Air Space

1/4" Hardcoat Low-E Outboard Lite

(1-5/8" Overall Glass Thickness)

60 Min. Rating - w Contraflam 60

60 Min. Rating - w Contraflam 60 IGU



1-1/16" Contraflam 60-3

1/4" Air Space

1/4" Hardcoat Low-E Outboard Lite

(1-9/16" Overall Glass Thickness)