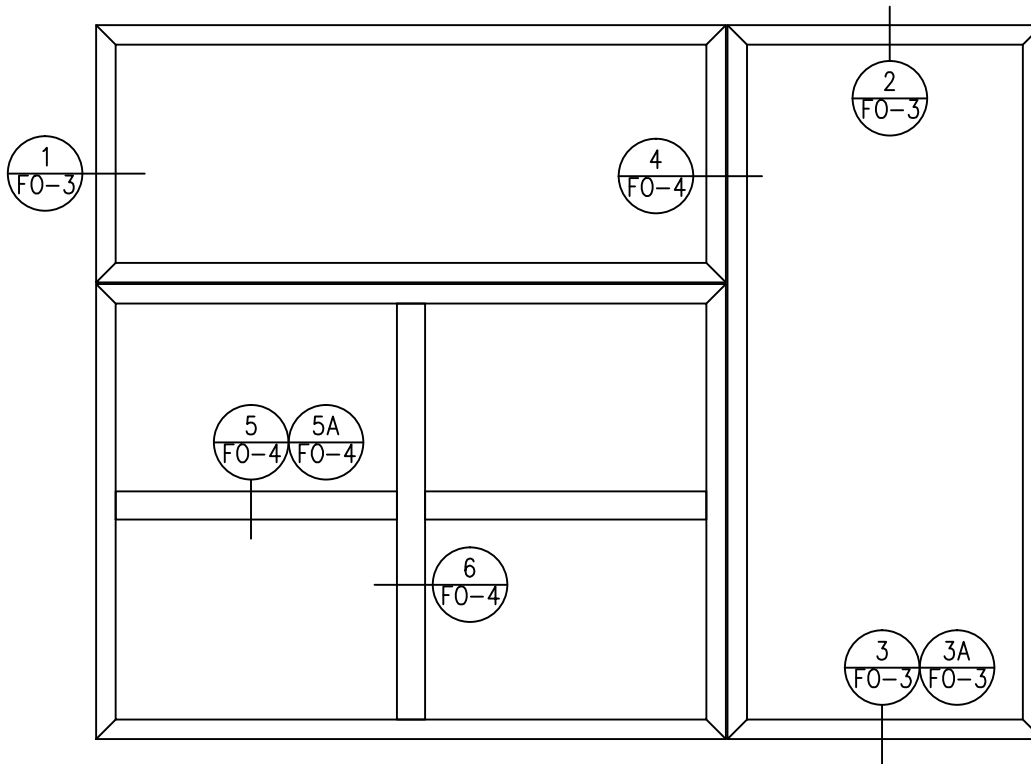
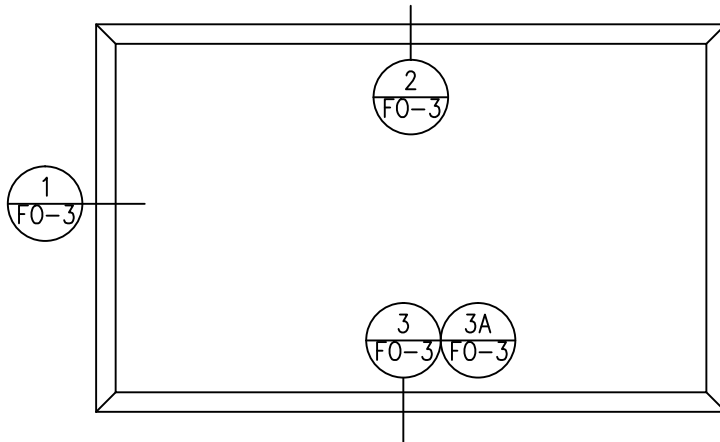


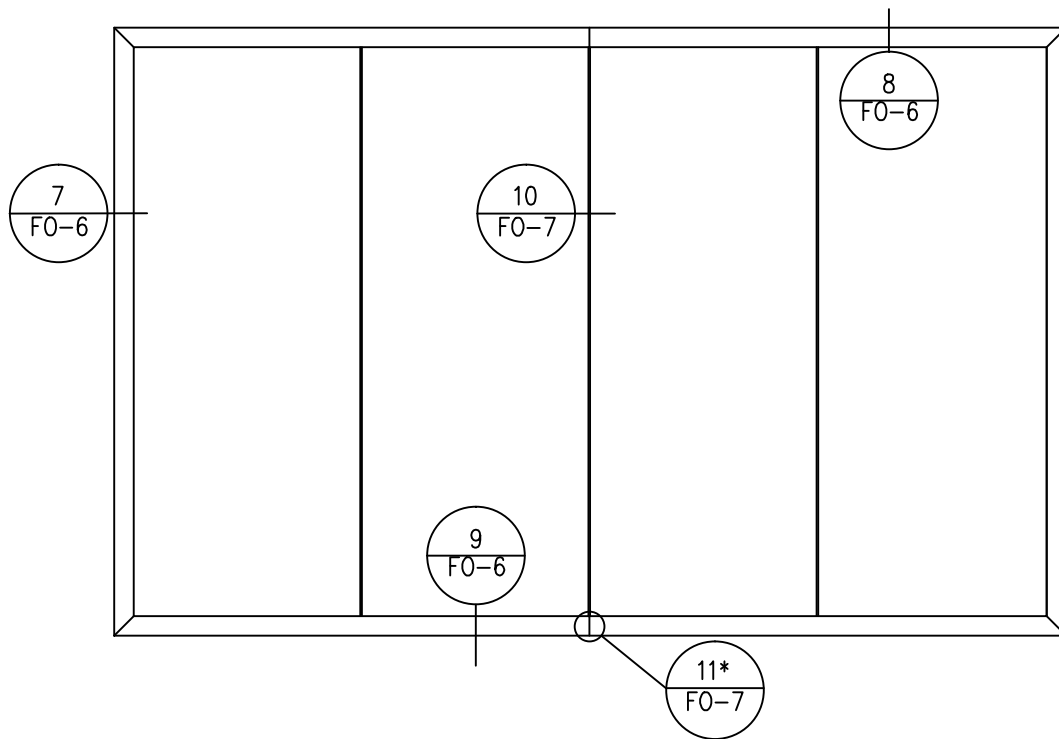
SCALE: NONE

- 2-7/16" Wide x 3-3/8" Deep standard dimensions
- Available in Anodized, Powder Coated and Architectural Painted finishes
- Interior and exterior installation
- Factory finished, assembled, and ready for installation
- Glazing stops to accommodate various glass thicknesses (20/45/60 minute) - see page 5
- Please refer to literature for max. sizes / ratings



SCALE: NONE

****EXAMPLE OF OPTIONAL BUTT GLAZED WALL SYSTEM
(RATED ONLY AT 60 MIN. & FOR INTERIOR APPLICATIONS ONLY)
USES CONTRAFLAM 60 STRUCTURE**



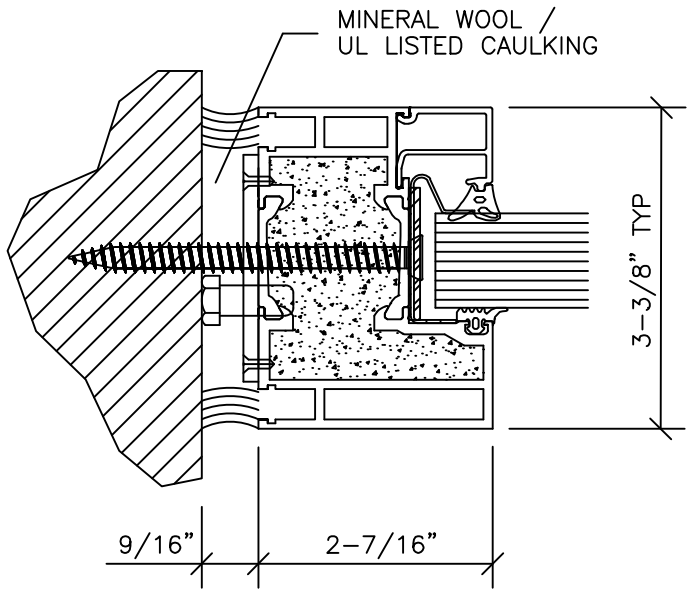
*(CONNECTION NECESSARY IF OVERALL FRAME LENGTH GREATER THAN 7' [84"])

(p) 562.926.9520
(f) 562.404.1394

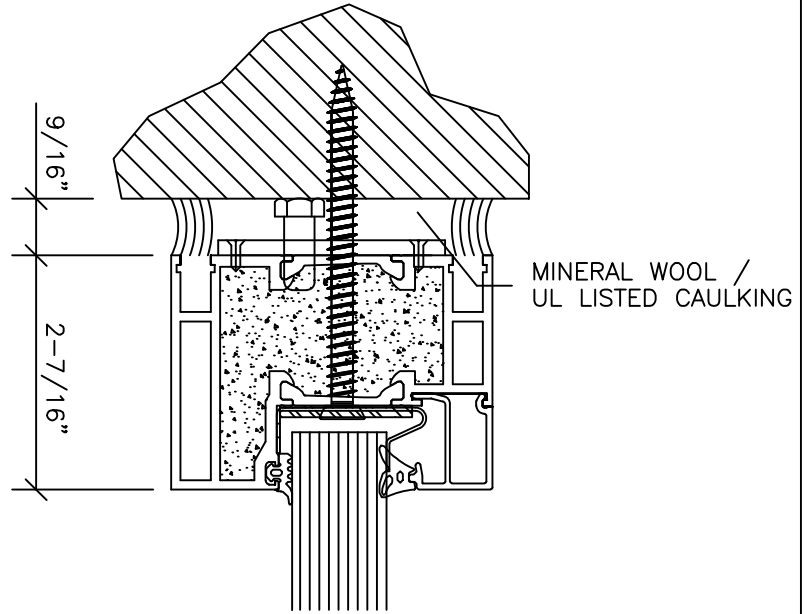
www.aluflam-usa.com



SCALE: 1/2 FULL SIZE



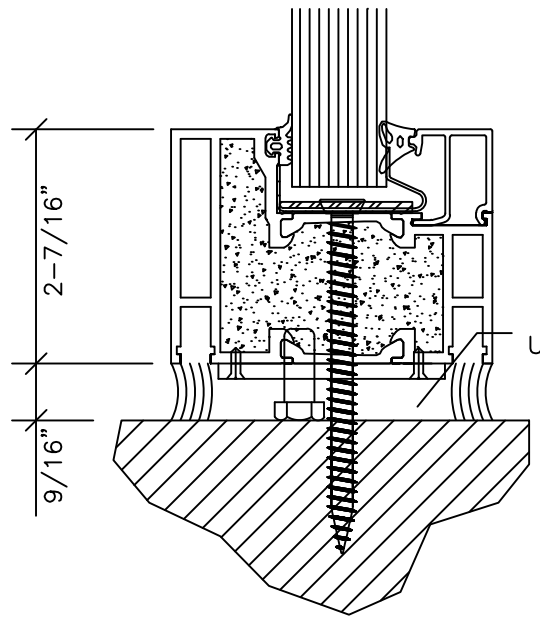
1 VERT. SECTION
60 MIN. GLASS



2 HEAD SECTION
60 MIN. GLASS

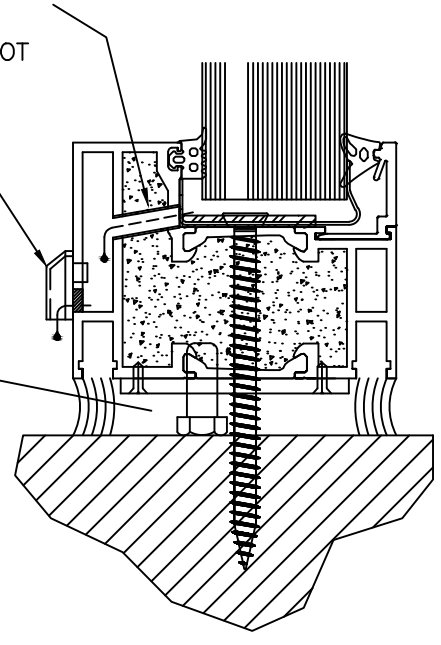
2 SIDE BY SIDE THRU HOLES
DIAMETER - 11 [7/16]

PVC DRAIN CAP (BLACK)
SNAPPED INTO 6 x 25 SLOT



3 SILL SECTION
60 MIN. GLASS

MINERAL WOOL /
UL LISTED CAULKING



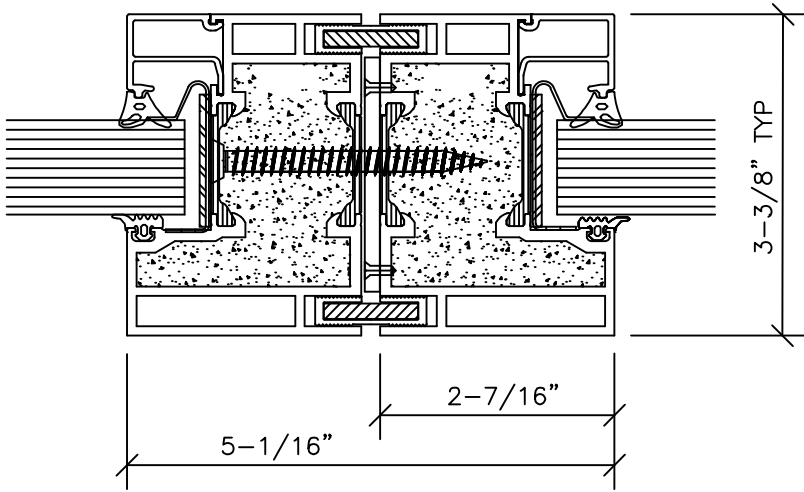
3A SILL SECTION (FOR EXTERIOR INSTALL)
60 MIN. GLASS

(p) 562.926.9520
(f) 562.404.1394

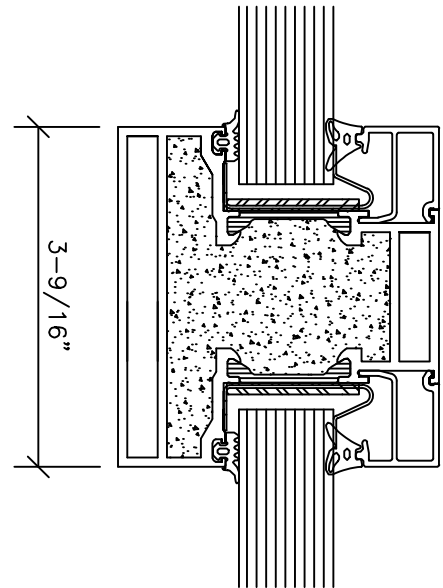
www.aluflam-usa.com



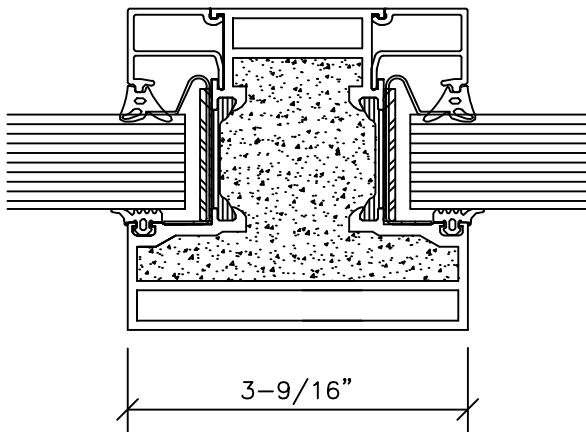
SCALE: 1/2 FULL SIZE



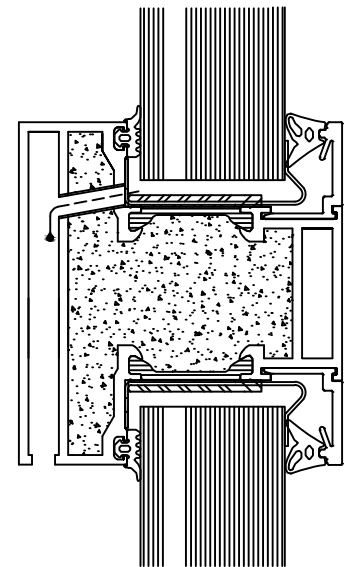
4 SEGMENTED MULLION SECTION
60 MIN. GLASS



5 HOR. MULLION SECTION
60 MIN. GLASS



6 VERT. MULLION SECTION
60 MIN. GLASS



5A HOR. MULLION SECTION (FOR EXTERIOR INSTALL)
60 MIN. GLASS

SCALE: 1/2 FULL SIZE

GLAZING CONFIGURATIONS

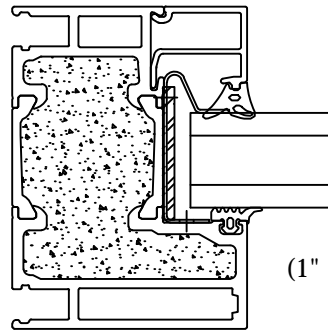
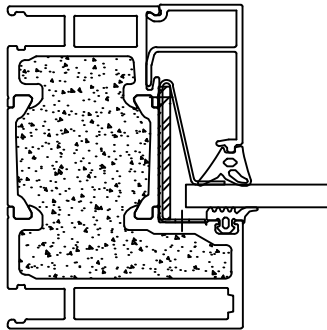
INTERIOR

EXTERIOR

(INSULATED GLASS UNITS)

20 Min. Rating - w Pyroswiss US

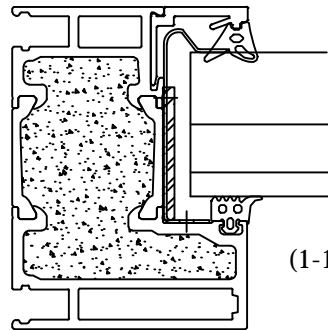
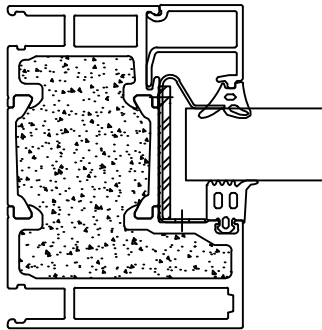
20 Min. Rating - w Pyroswiss US IGU



- 1/4" SGG Pyroswiss US
 - 1/2" Air Space
 - 1/4" Hardcoat Low-E Outboard Lite
- (1" Overall Glass Thickness)

45 Min. Rating - w Contraflam 45

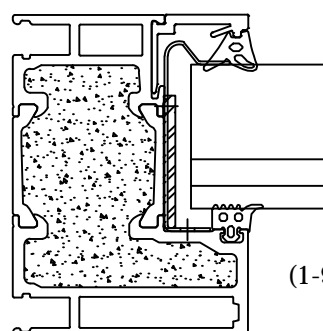
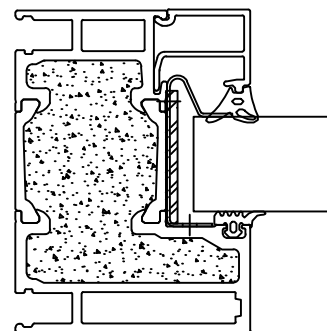
45 Min. Rating - w Contraflam 45 IGU



- 3/4" SGG Contraflam 45
 - 1/2" Air Space
 - 1/4" Hardcoat Low-E Outboard Lite
- (1-1/2" Overall Glass Thickness)

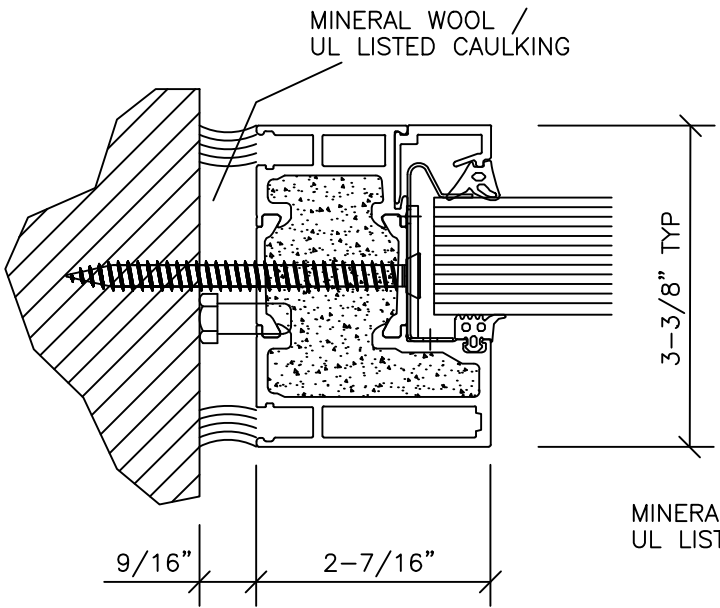
60 Min. Rating - w Contraflam 60

60 Min. Rating - w Contraflam 60 IGU

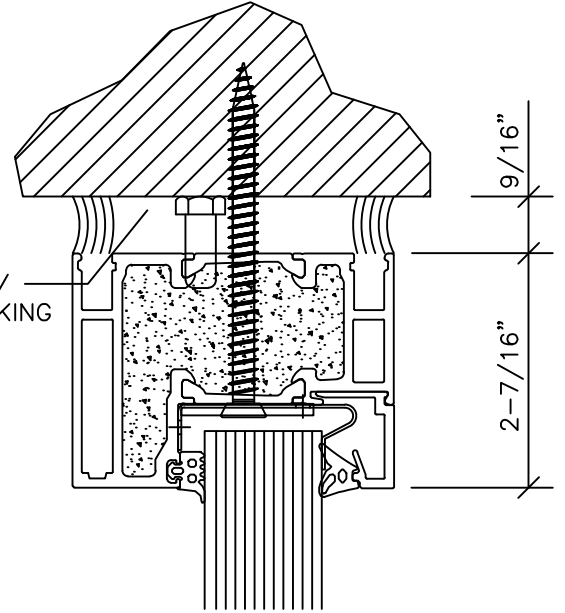


- 1-1/16" SGG Contraflam 60
 - 1/4" Air Space
 - 1/4" Hardcoat Low-E Outboard Lite
- (1-9/16" Overall Glass Thickness)

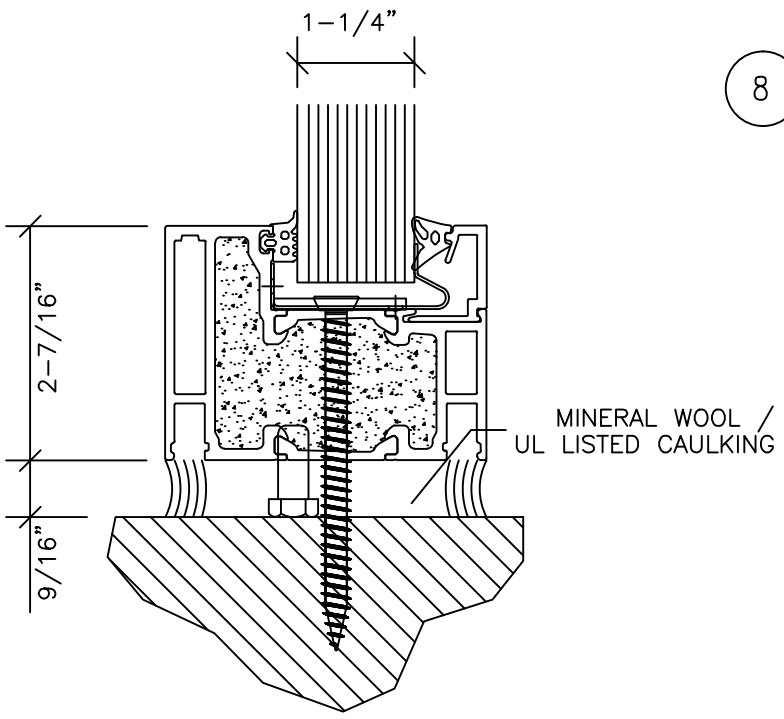
SCALE: 1/2 FULL SIZE



7 VERT. SECTION
60 MIN. CONTRAFLAM STRUCTURE

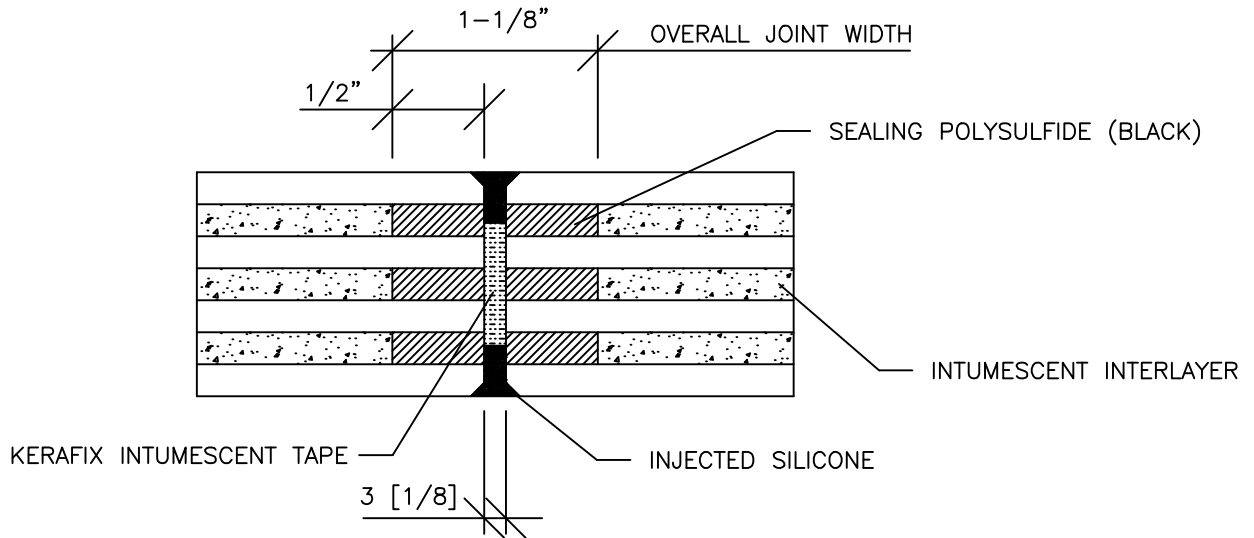


8 HEAD SECTION
60 MIN. CONTRAFLAM STRUCTURE

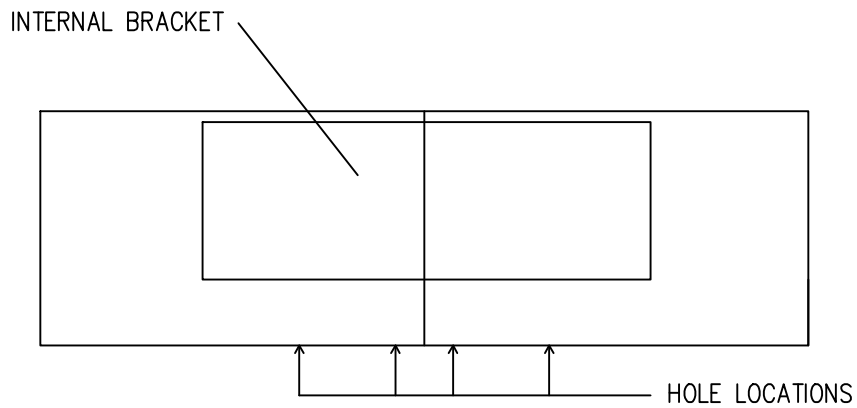


9 SILL SECTION
60 MIN. CONTRAFLAM STRUCTURE

SCALE: 1/2 FULL SIZE



10 BUTT GLAZED JOINT SECTION
60 MIN. CONTRAFLAM STRUCTURE



11 STRAIGHT JOINT CONNECTION (*IF NECESSARY)
60 MIN. CONTRAFLAM STRUCTURE