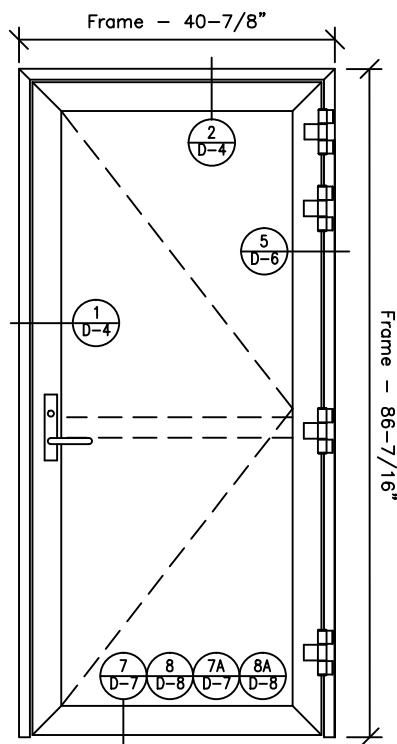


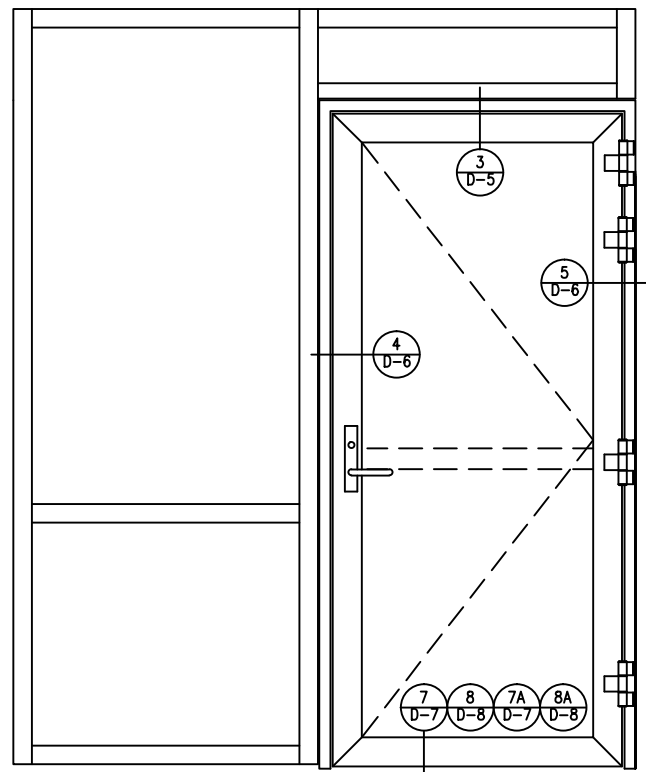
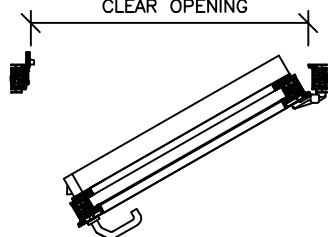
SCALE: NONE

- Standard thickness:
 - 3-5/8" (interior)
 - 4-1/8" (exterior with insulated glass unit)
- Maximum door opening
 - 3'6x8'0 (SD) / 7'0x8'0 (DD)
- Available in Anodized, Powdercoated and Architectural Painted finishes
- Interior and exterior installation
- Factory finished, assembled, and ready for installation
- Door frames integrate with Aluflam 120 Min Curtainwall System for sidelites/transoms.
- 90 Min, Heat Barrier Doors are heavy and closers adjusted to meet reduced opening force requirements may not be adequate to close & latch doors reliably. Opening force of closers that are adjusted to close/latch doors reliably could be 15lbs, or more, depending on conditions. If this is a concern, use of an operator or power assist closer should be considered.

Frame Size for standard 3'0 x 7'0 SD

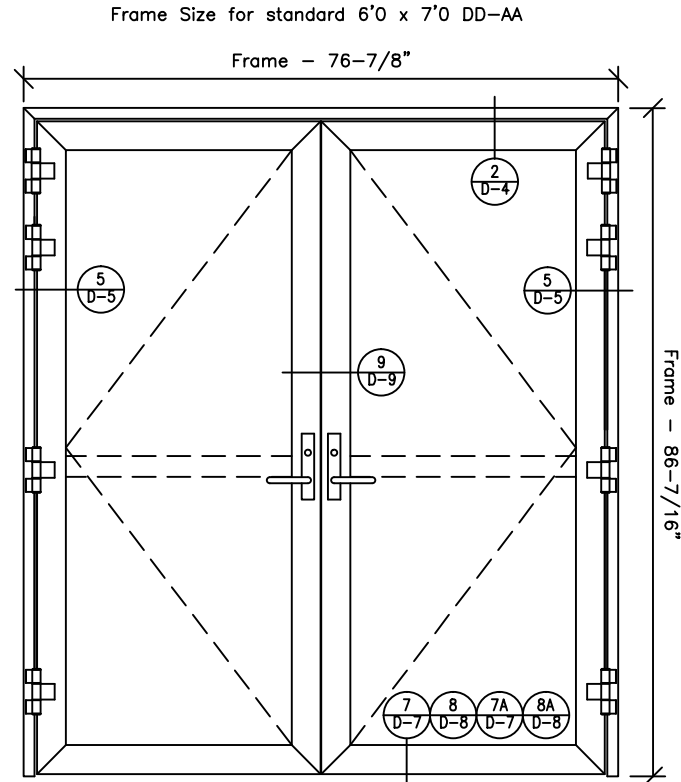


Single Door (SD)
(RHR shown)
CLEAR OPENING

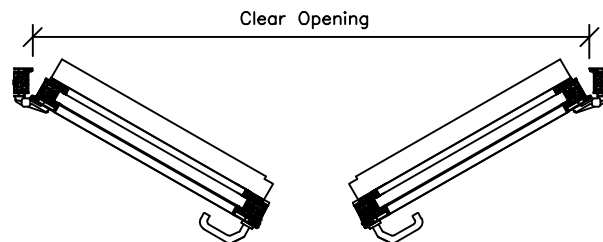


Door Shown w/ transom
& Sidelite

SCALE: NONE

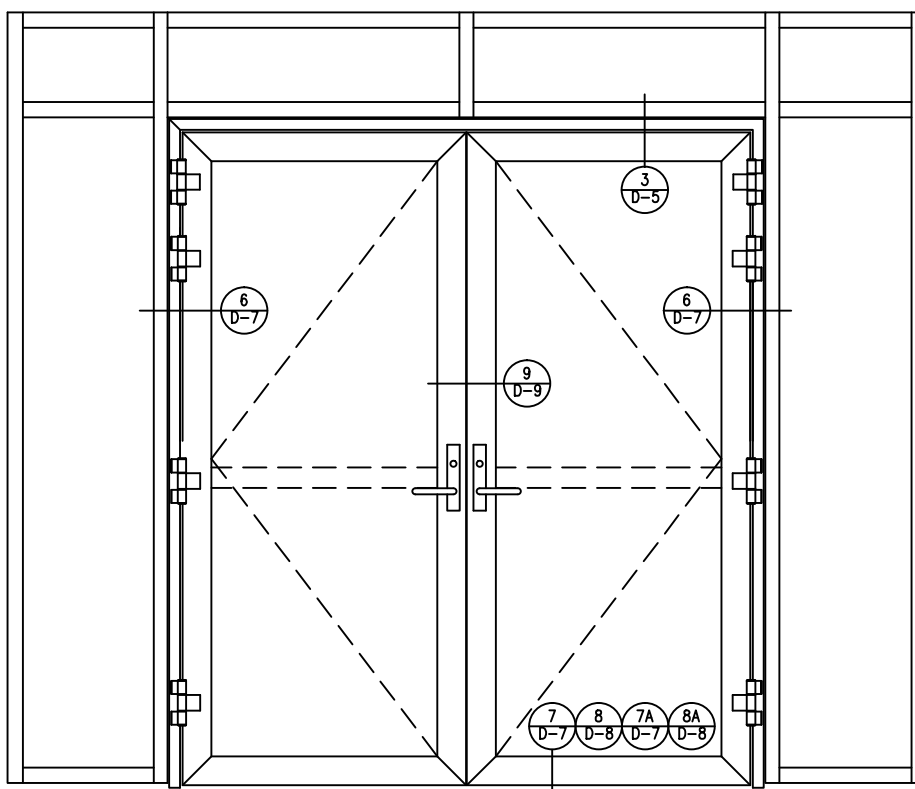


Double Door - Active/Active (DD-AA)
(LHR/RHR shown)

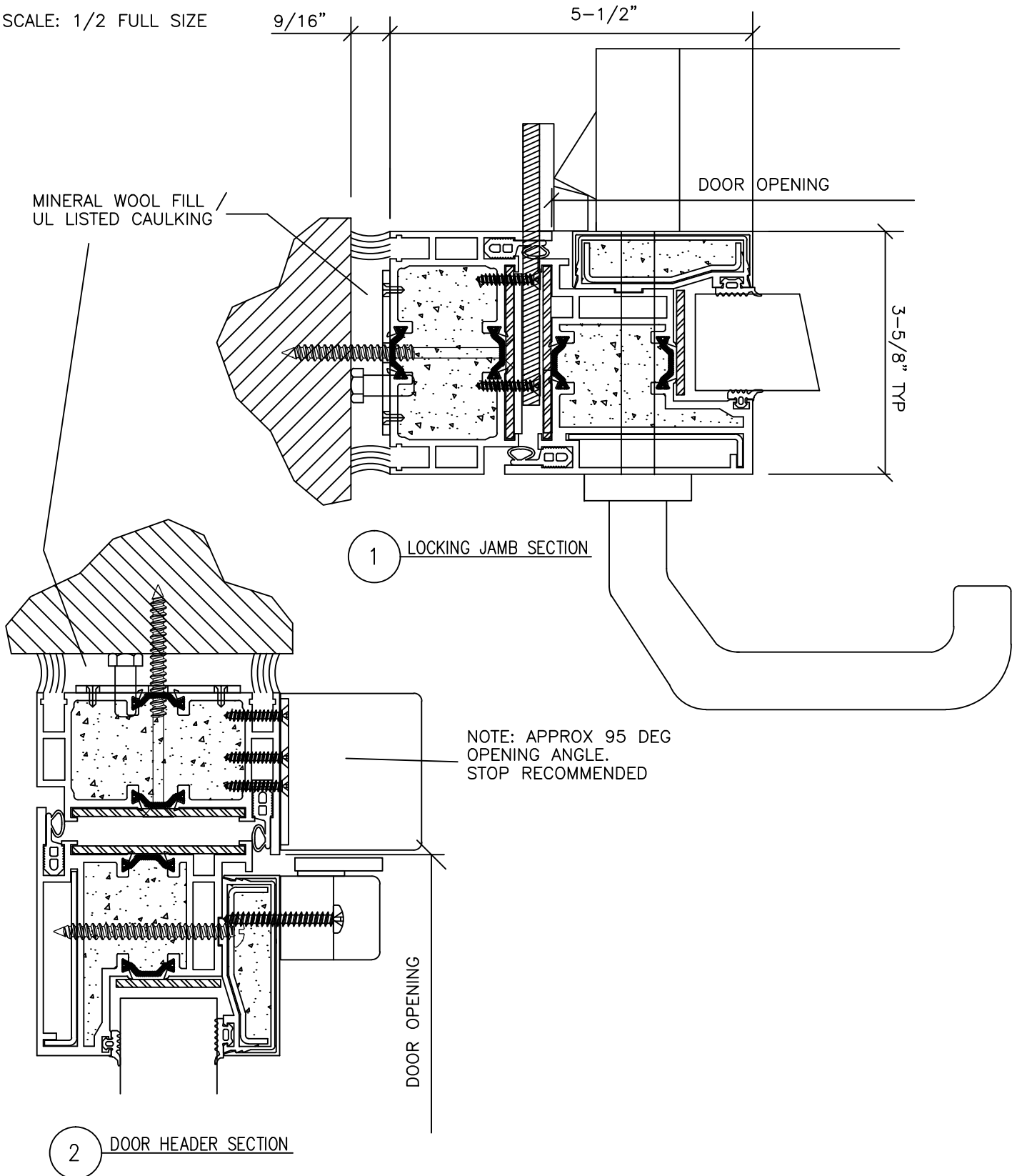


SCALE: NONE

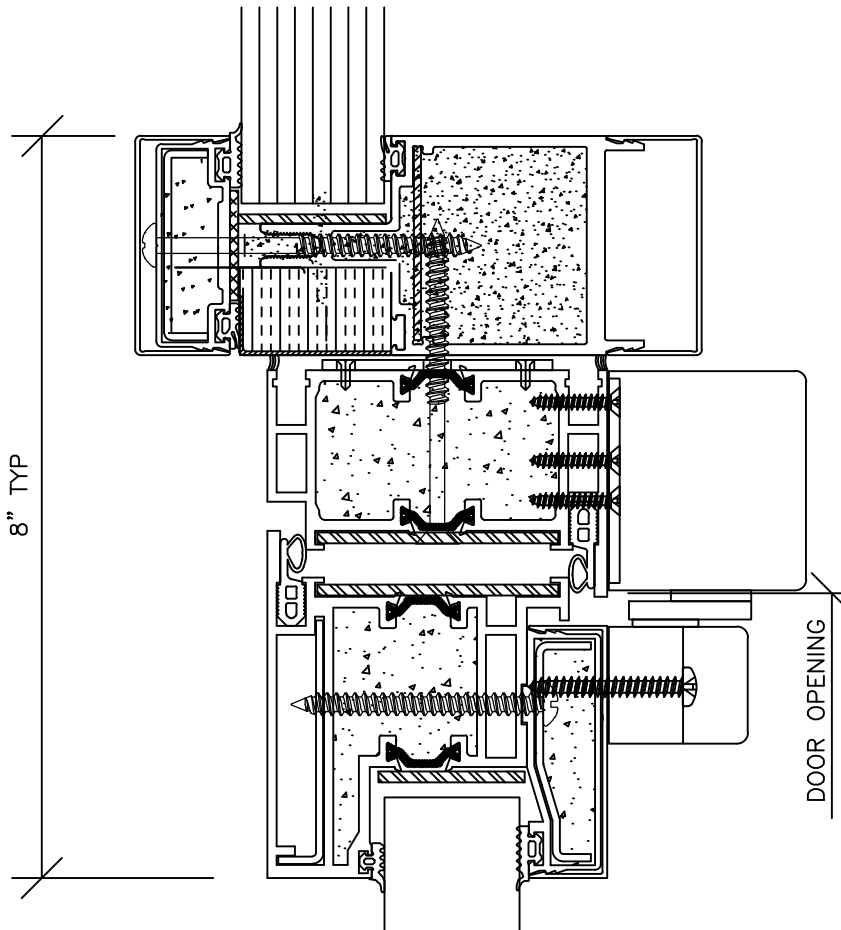
Doors Shown w/ 120 min transom
& Sidelite(s)



SCALE: 1/2 FULL SIZE



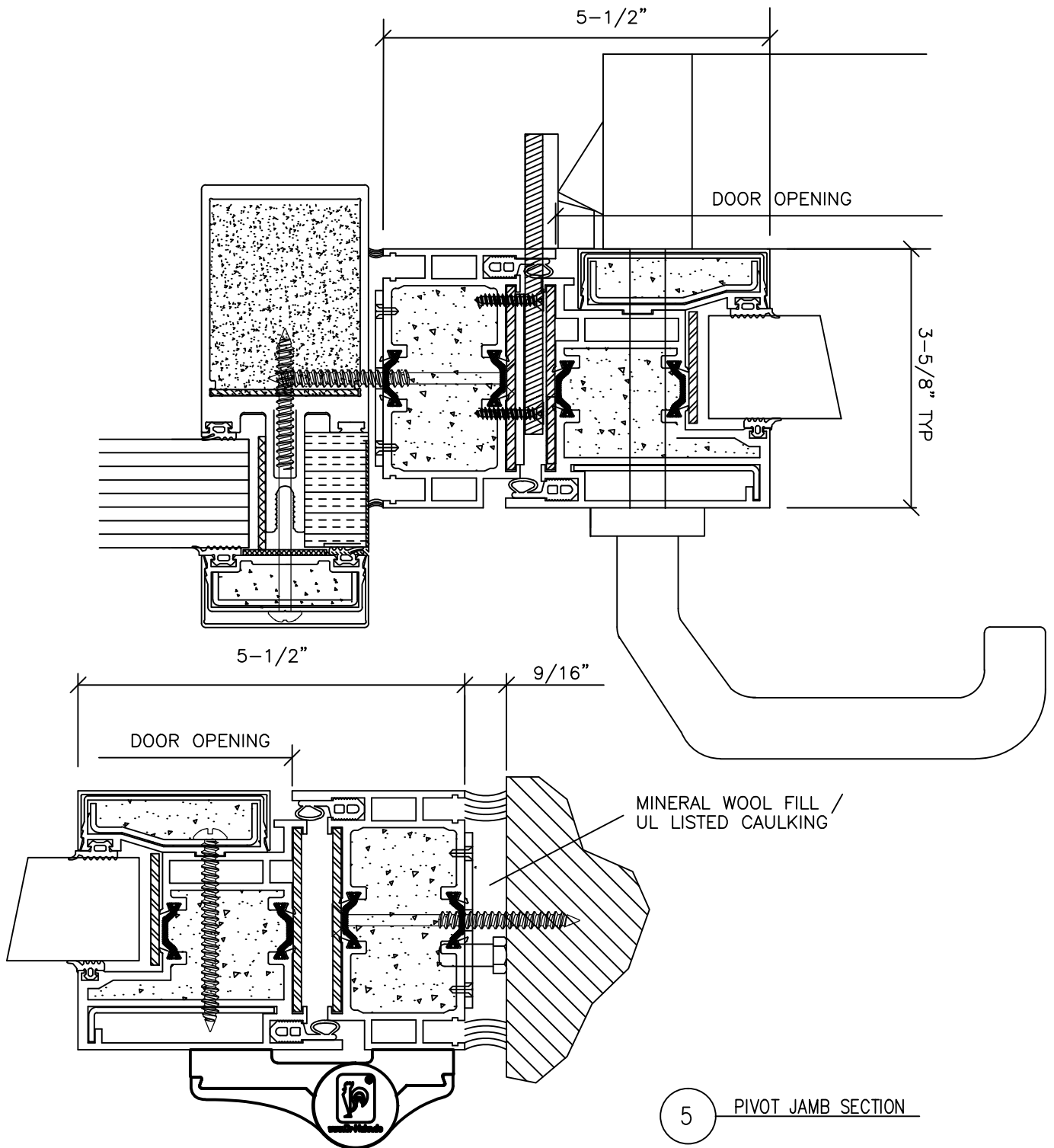
SCALE: 1/2 FULL SIZE



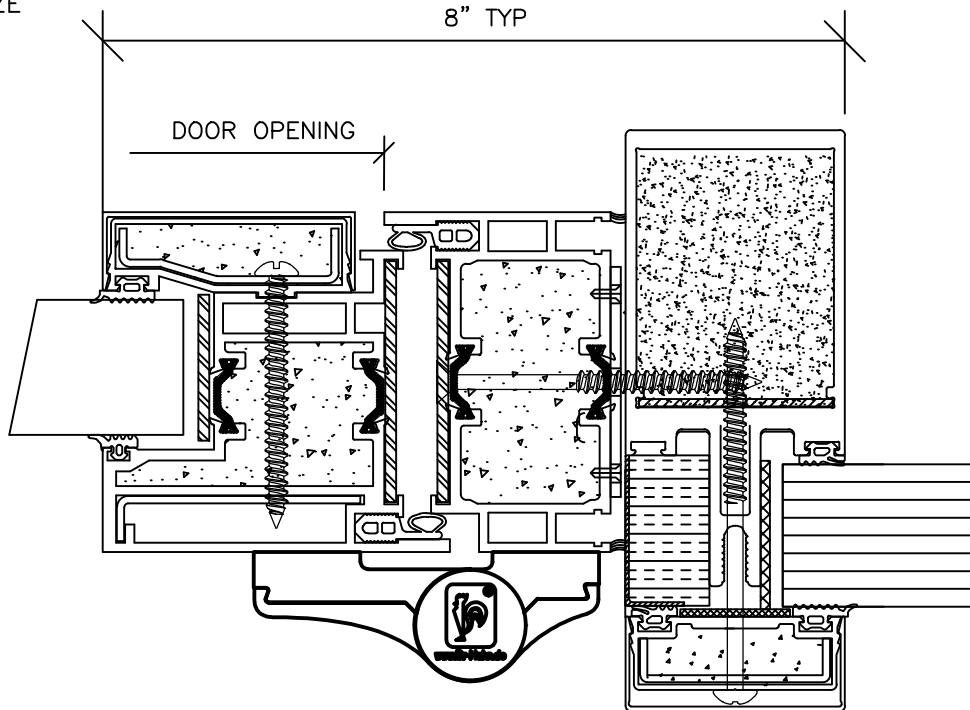
3 DOOR HEADER SECTION w/TRANSOM

SCALE: 1/2 FULL SIZE

4 LOCKING JAMB SECTION w/ SIDELITE



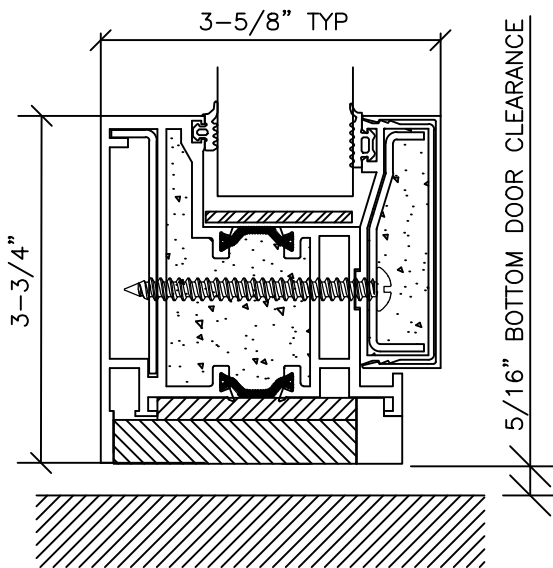
SCALE: 1/2 FULL SIZE



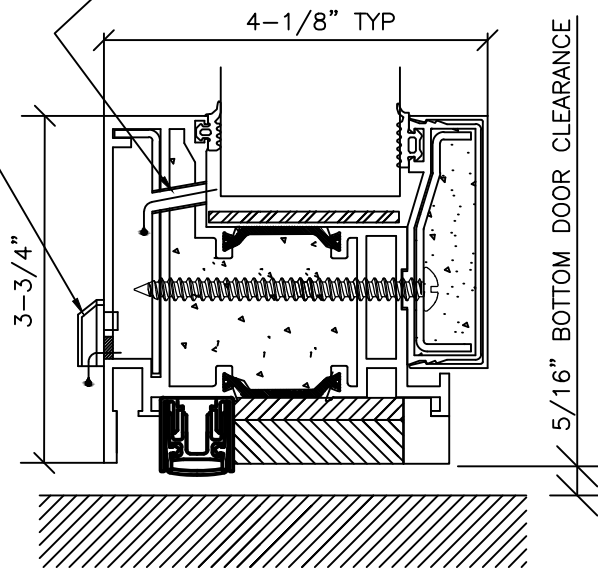
6 PIVOT JAMB SECTION w/ SIDELITE

PVC DRAIN CAP (BLACK)
SNAPPED INTO 6 X 25 SLOT

2 SIDE BY SIDE THRU HOLES
DIAMETER - 11 [7/16]

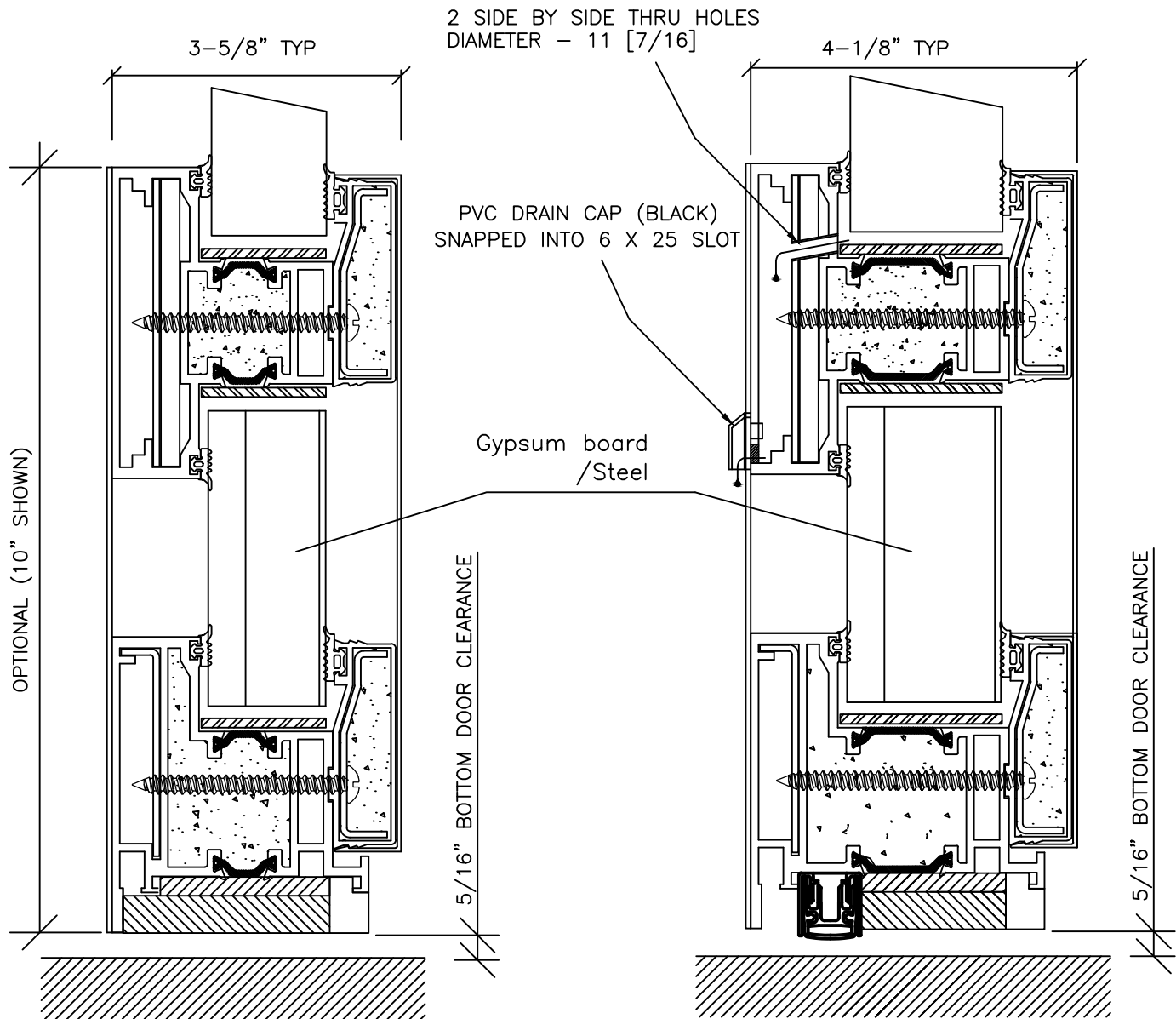


7 BOTTOM DOOR RAIL SECTION
(Interior)



7A BOTTOM DOOR RAIL SECTION
(Exterior)

SCALE: 1/2 FULL SIZE



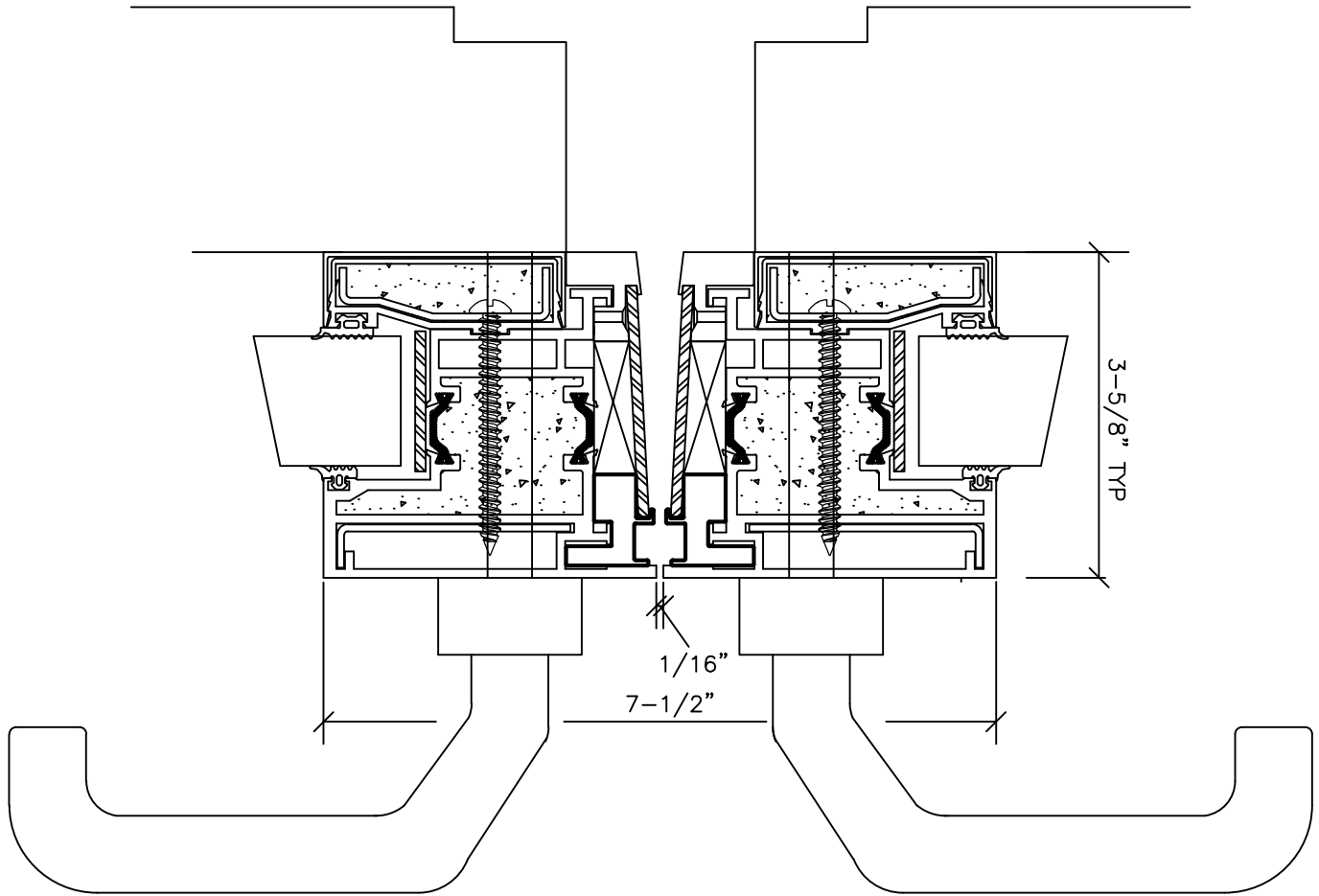
OPTION

8 BOTTOM DOOR RAIL SECTION,
SHOWN w/ 10" KICKPLATES (interior)

OPTION

8A BOTTOM DOOR RAIL SECTION,
SHOWN w/ AUTO FLOOR SEAL OPTION (exterior)

SCALE: 1/2 FULL SIZE



9 MEETING STILE SECTION



STANDARD HARDWARE SETS

SD (SINGLE DOOR)

- [1] Surface Track Closer - Dorma TS93-15ST
 - [4] Offset Pivots, Aluminum - Dr. Hahn A951 Turband 4 Series
 - [1] Rim Exit Device - Dorma F9700 Series w/ Lever Trim
 - [1] Mortise Cylinder, Schlage "C" Keyway
 - [2] 10" Aluminum Kickplates
 - [1] Set of Gaskets/Seals
- (OPTIONS)
- Mortise Lock - Accurate 8600 Series - w/ FSB Trim
 - Auto Floor Seal - Planet MF (Standard on Exterior Doors)
 - Electric Strike - Von Duprin 6226 (w/ mortise lock ONLY)
 - Electric Function on panic w/ Electric Power Transfer (VD EPT2/10)

* Sargent 8500/Falcon 24 Series Narrow Stile RIM Exit Devices are available at additional cost & lead time.
NOTE: Von Duprin 33/35 Series RIM Exit Devices are NOT UL Listed for Fire Doors - not available on Single Doors

DD-AA (DOUBLE DOOR, ACTIVE/ACTIVE)

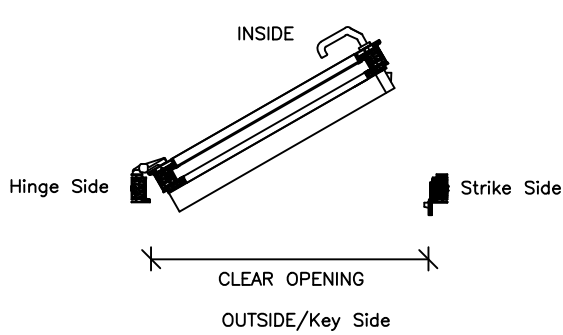
- [2] Surface Track Closer - Dorma TS93-15ST
 - [8] Offset Pivots, Aluminum - Dr. Hahn A951 Turband 4 Series
 - [2] Surface Vertical Rod Panics w/ Lever Trim - Dorma F9800 Series
 - [2] Mortise Cylinder, Schlage "C" Keyway
 - [4] 10" Aluminum Kickplates
 - [1] Set of Gaskets/Seals
- (OPTIONS)
- Auto Floor Seals - Planet MF (Standard on Exterior Doors)
 - Electric Function on panic w/ Electric Power Transfer (VD EPT2/10)
- * Von Duprin 33/35 Series SVR Exit Devices are available at additional cost & lead time.

* Any additional hardware not listed here is not required for Fire rating and if desired, would be "By Others" *

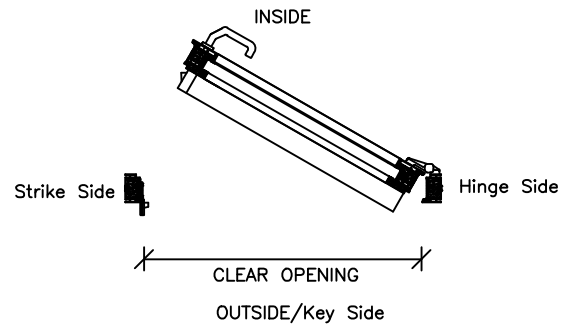
- These lists contain ALUFLAM's standard packages and most commonly specified hardware options
- SCHLAGE "C" Keyway is standard unless otherwise specified - Other options are available
- Please inquire about additional options
- See Accurate literature for available mortise lock functions (www.accurate.to)
- See FSB literature for optional lever trim designs (www.fsbna.com)

* Dorma TS93 Narrow profile Track type closer Standard & used w/ Curtainwall system or limited above door frame clearance. Note limited opening angle, range of approximately 95 degrees. - Floor stop recommended

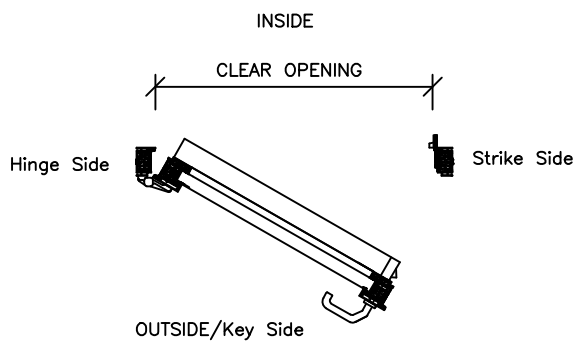
ANSI A250.7-1997 Door Handing Chart



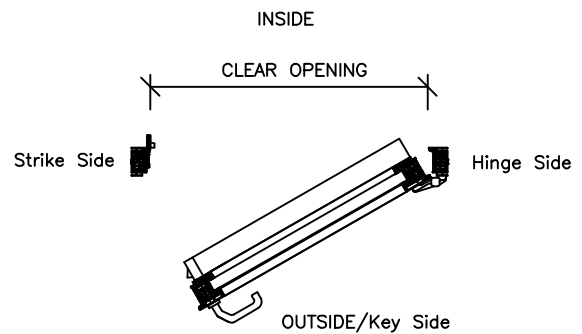
LEFT HAND DOOR (SWING IN)



RIGHT HAND DOOR (SWING IN)



LEFT HAND REVERSE (SWING OUT)



RIGHT HAND REVERSE (SWING OUT)