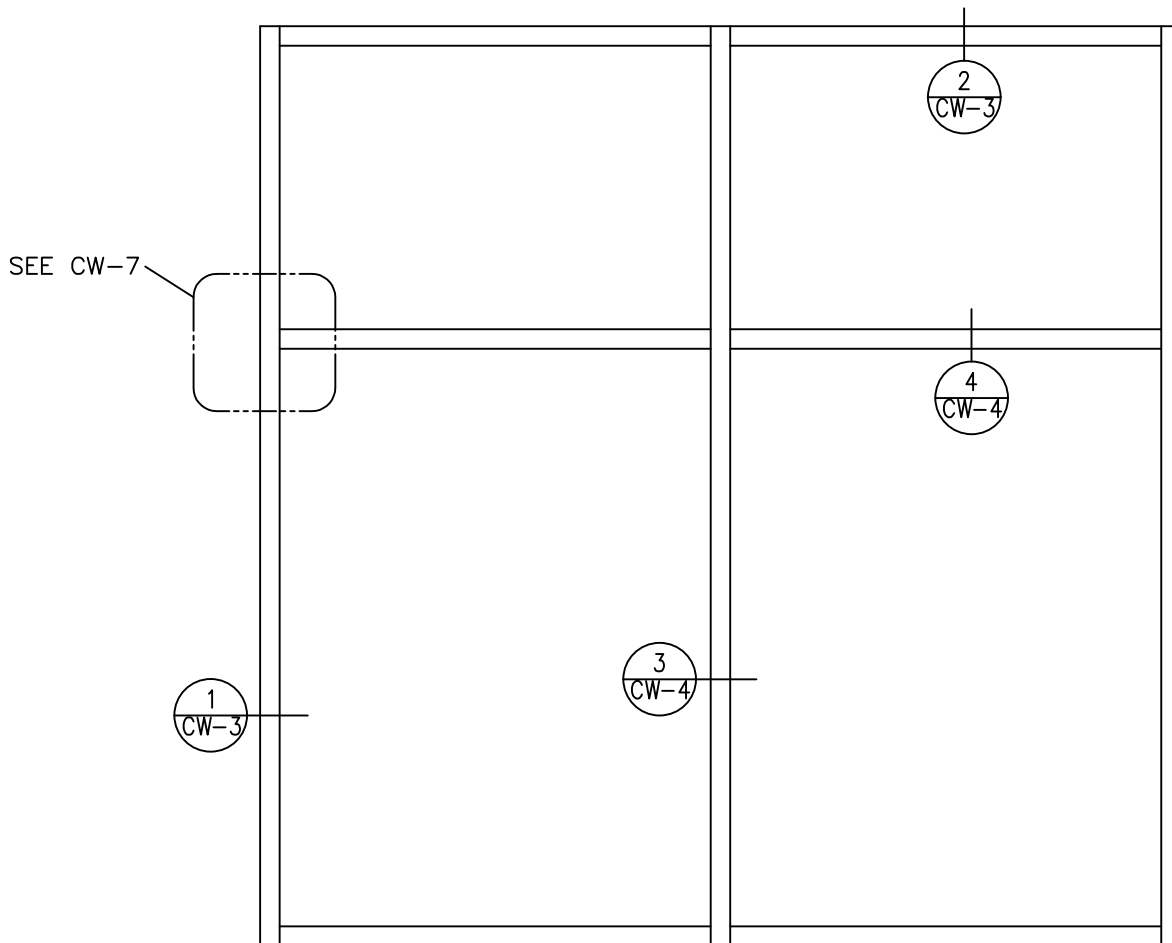




SCALE: NONE

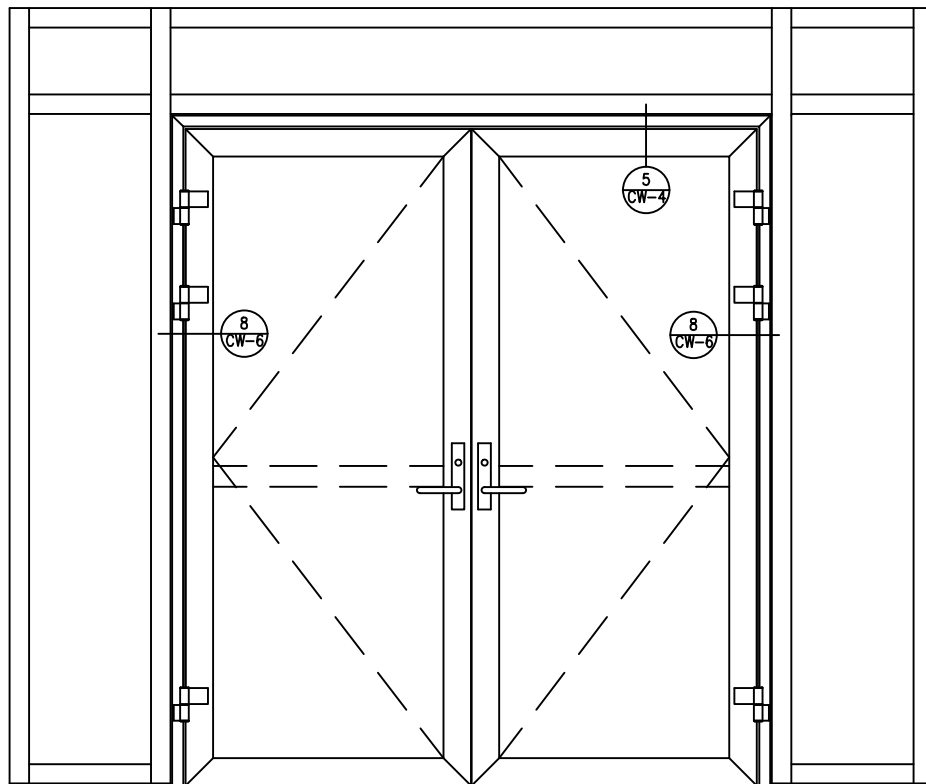
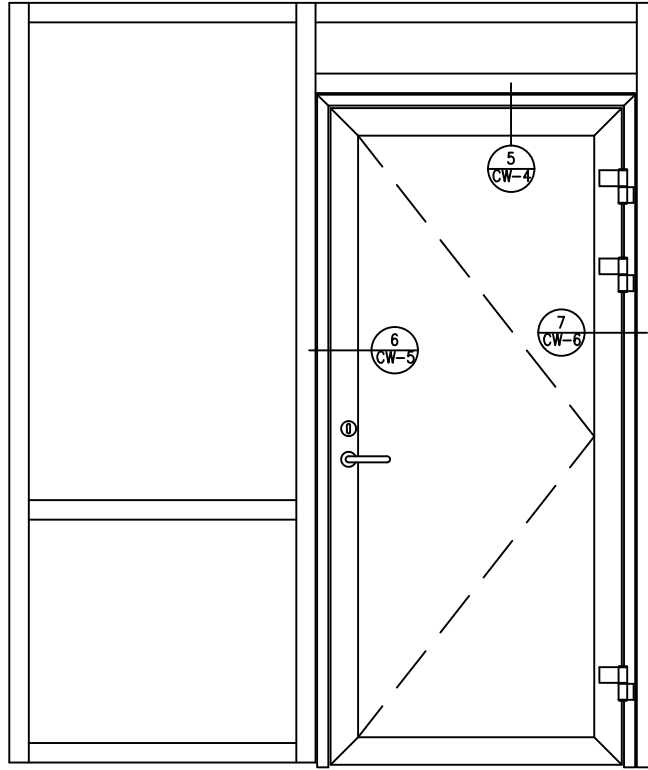
- 2-1/2" x 7-1/2" standard framing members
- Available in Anodized, Powdercoated & Architectural Painted finishes
- Interior and exterior installation
- Delivered fully assembled – or segmented for ease of transport/handling
- 60 minute fire resistance rated per UL263 and ASTM E119
- Please refer to literature for max. sizes / ratings
- All section details shown with IGU glazing for exterior install (subtract 1/2" depth for interior)



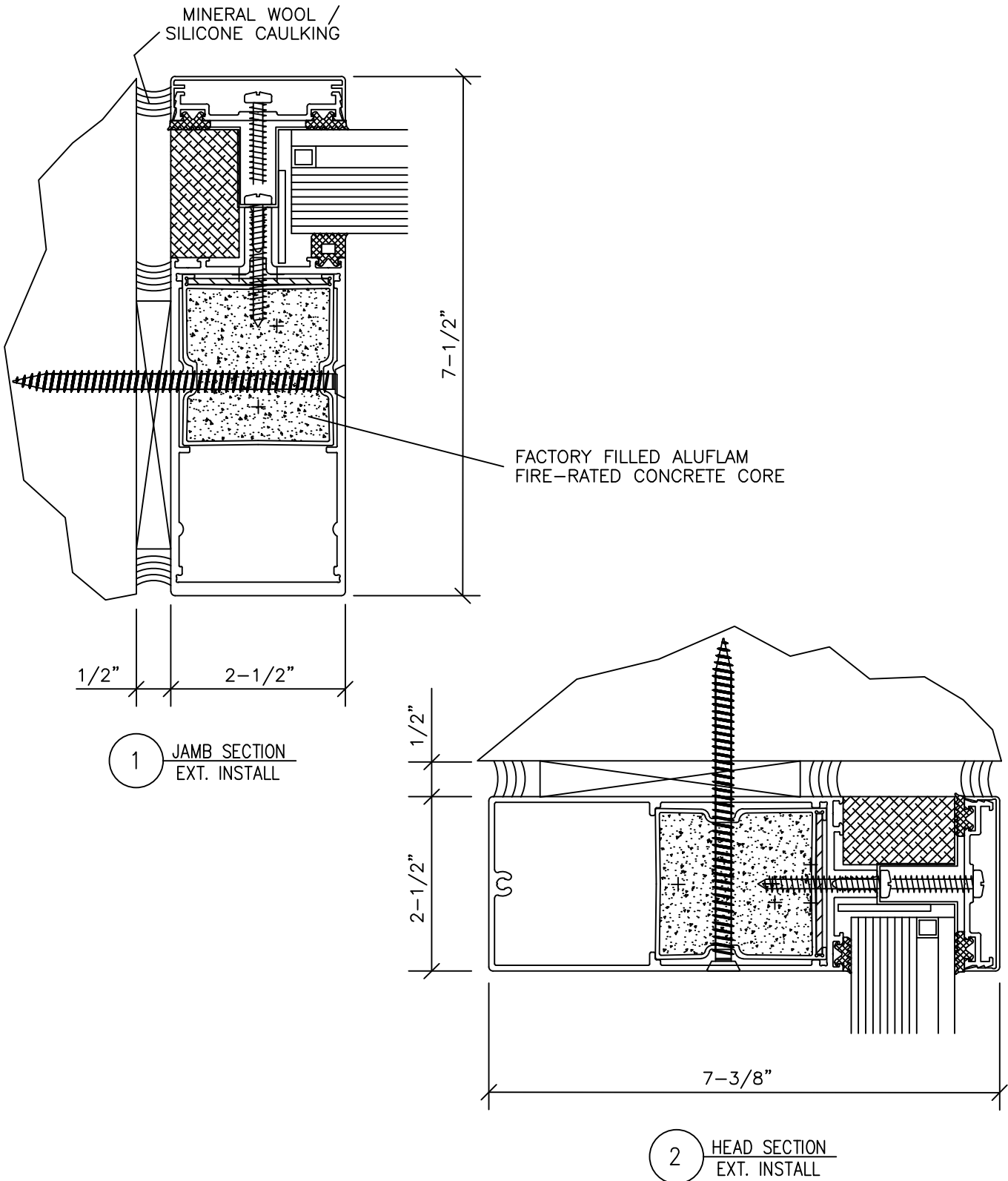


SCALE: NONE

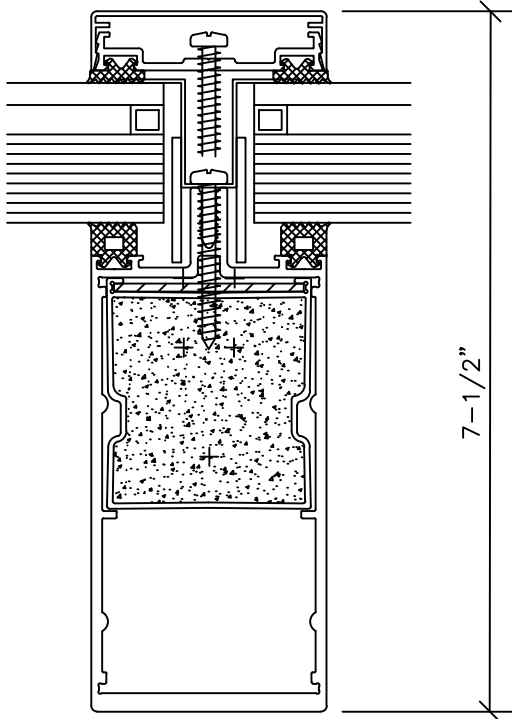
Curatinwall Shown integrated w/
Doors as sidelites & Transoms



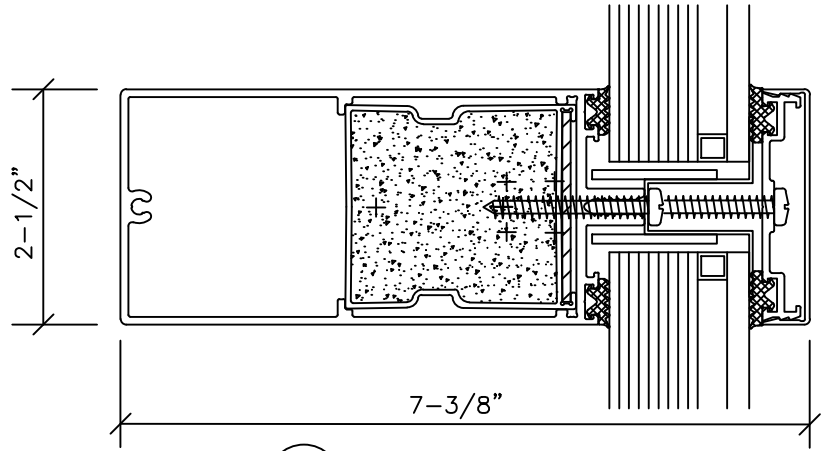
SCALE: 1/2 FULL SIZE



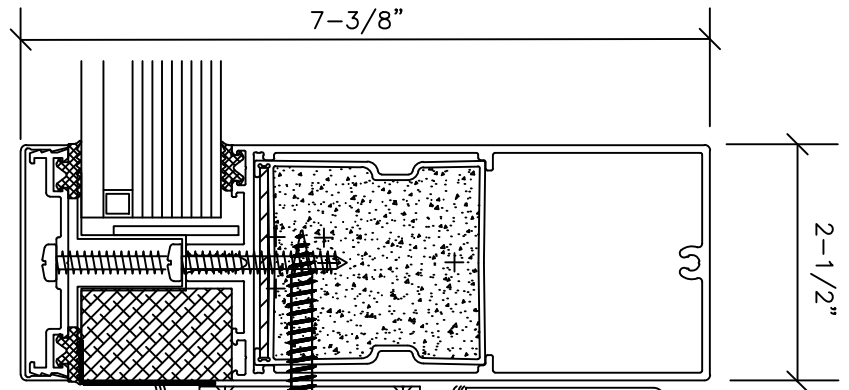
SCALE: 1/2 FULL SIZE



3 VERT. SECTION
EXT. INSTALL

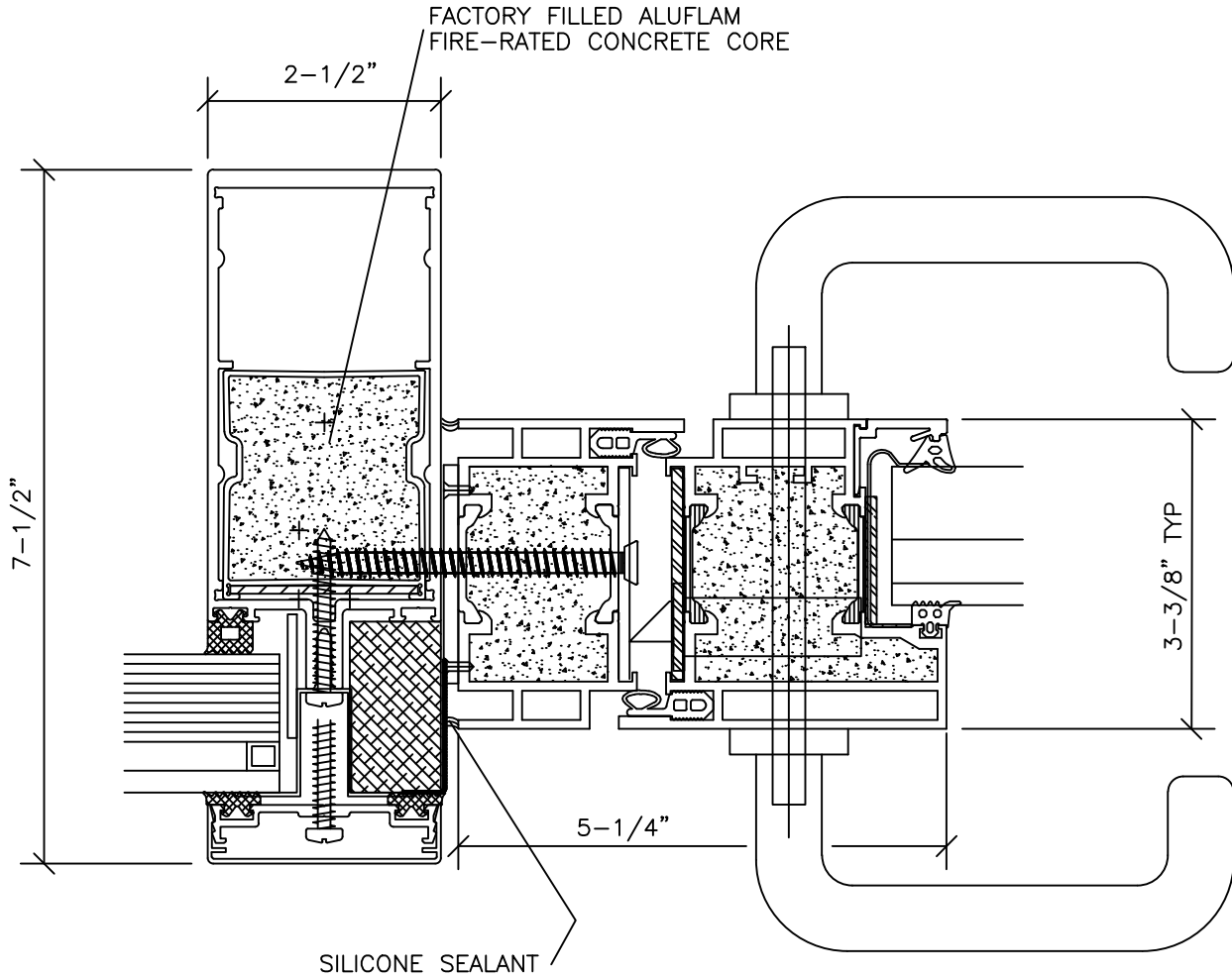


4 HOR. SECTION
EXT. INSTALL



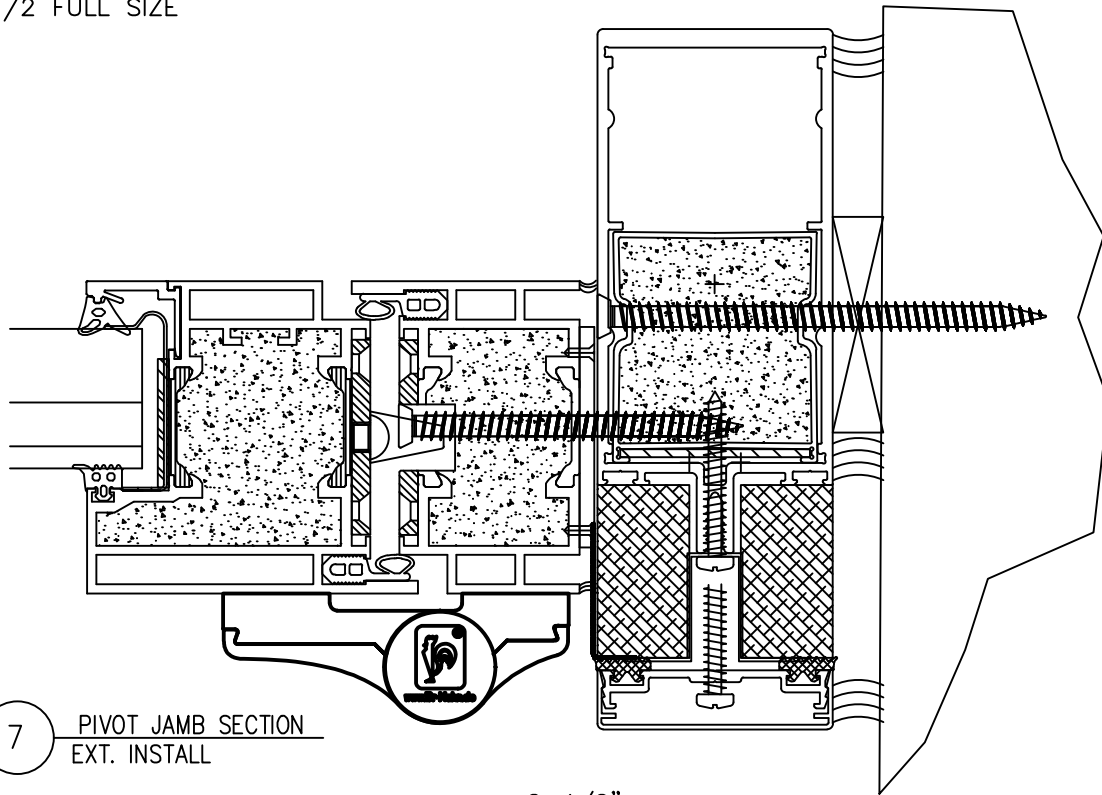
5 DOOR HEADER SECTION
EXT. INSTALL

SCALE: 1/2 FULL SIZE

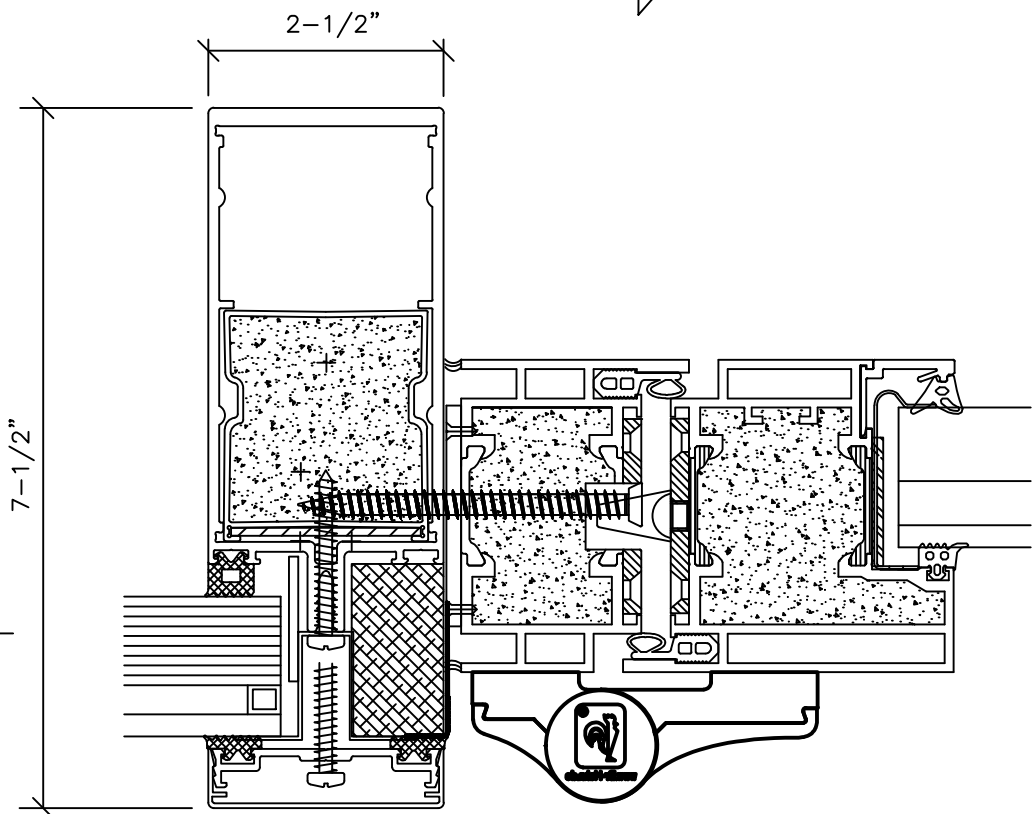


6 LOCKING JAMB SECTION
EXT. INSTALL

SCALE: 1/2 FULL SIZE



7 PIVOT JAMB SECTION
EXT. INSTALL



8 PIVOT JAMB SECTION
EXT. INSTALL

SCALE: NTS

