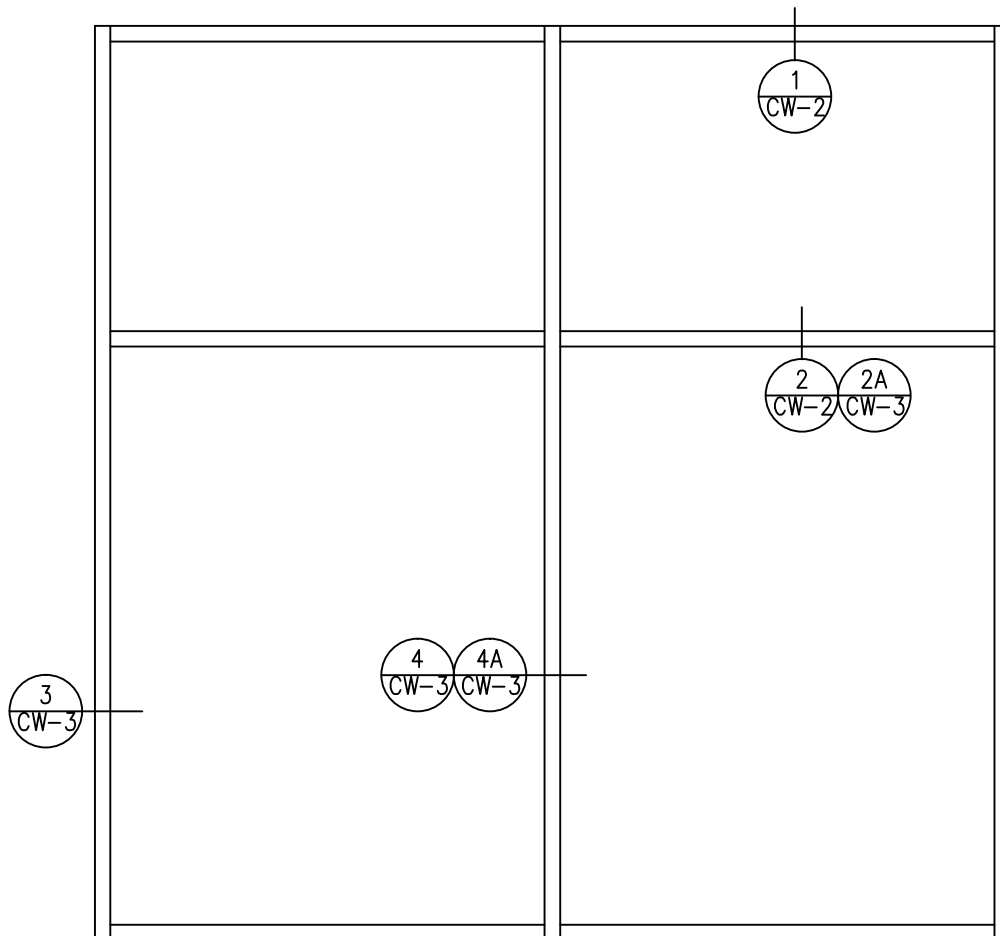




SCALE: NONE

- 2 3/8" x 6-1/4" standard framing members
- Available in Anodized, Powdercoated & Architectural Painted finishes
- Interior and exterior installation
- Delivered fully assembled - or segmented for ease of transport/handling
- 120 minute rated per UL263
- Please refer to literature for max. sizes / ratings
- Also available: 120 min aluminum panel for end of slab conditions, etc.



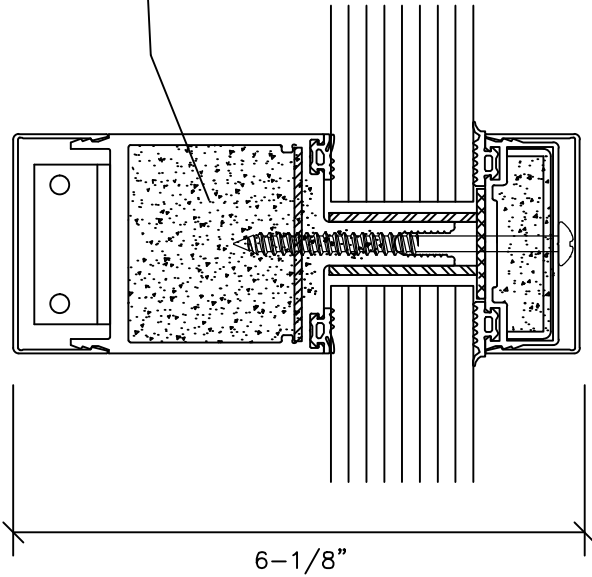


SCALE: 1/2 FULL SIZE

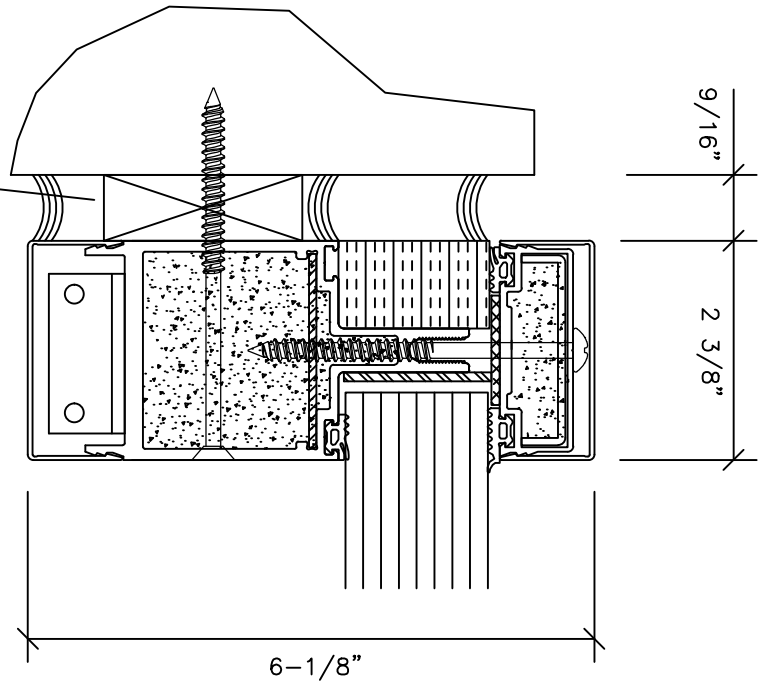
UL LISTED CAULKING
MINERAL WOOL /

1 HEAD SECTION

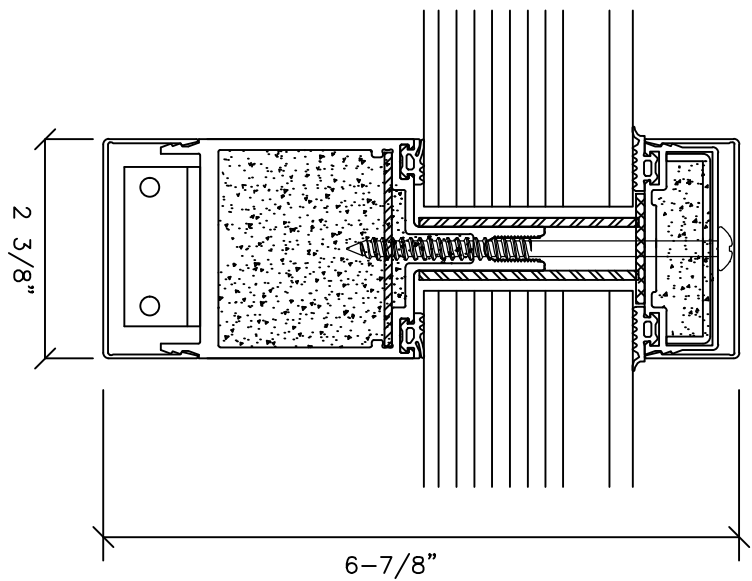
FACTORY FILLED, ALUFLAM
FIRE-RATED CONCRETE CORE



2 HOR. SECTION

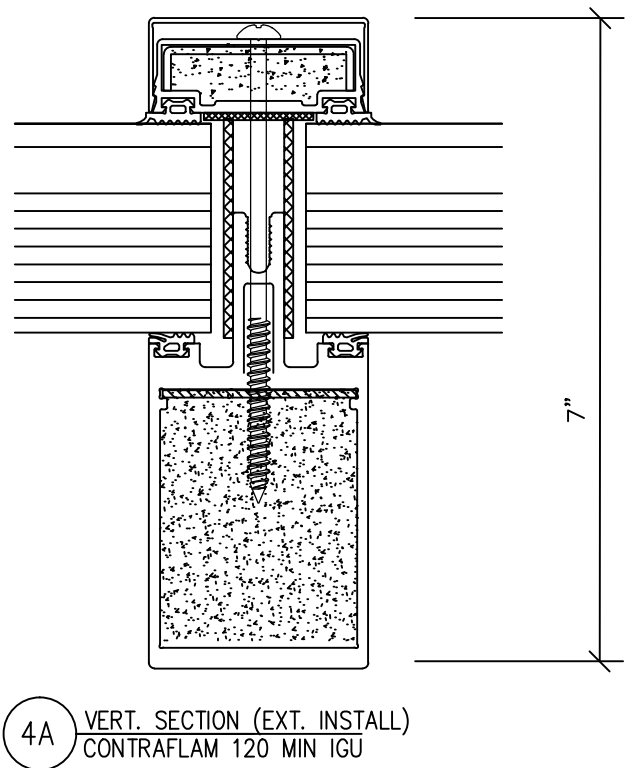
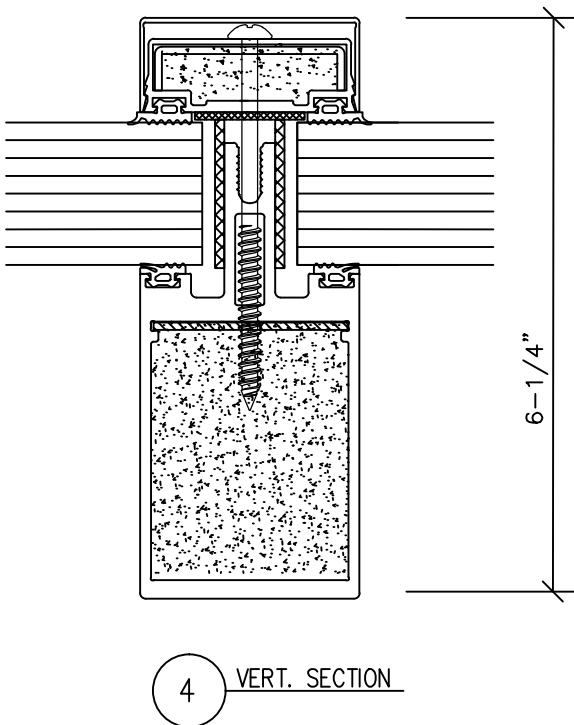
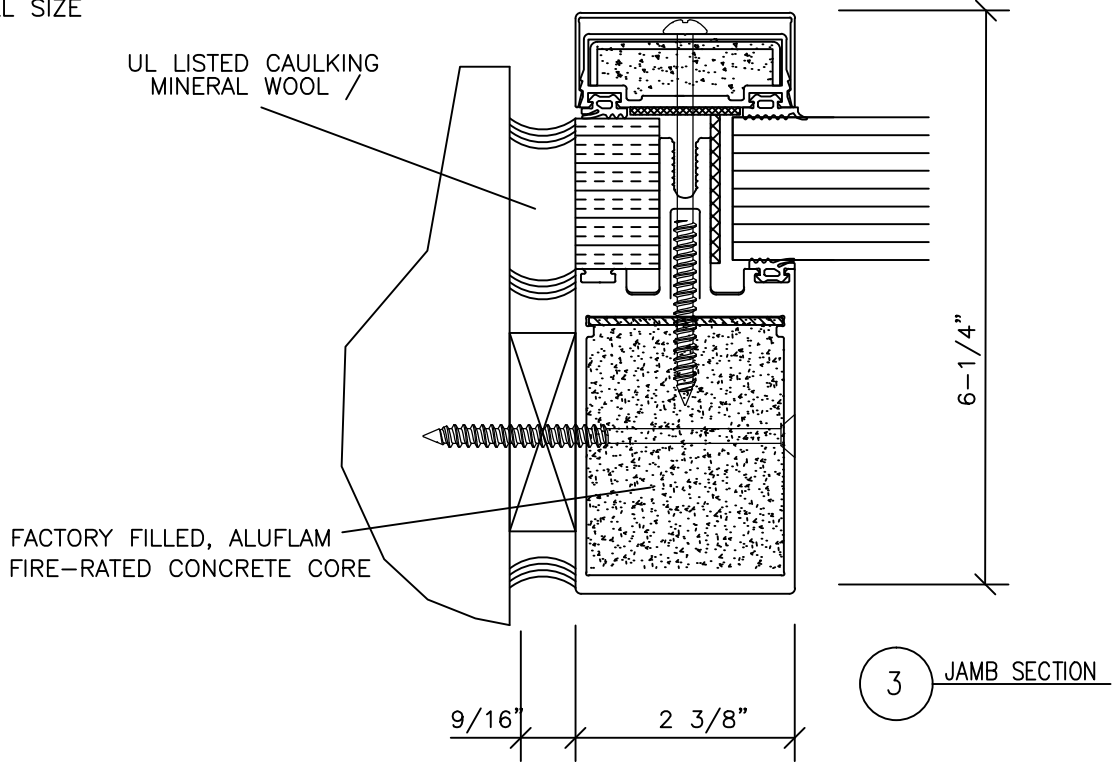


2A HOR. SECTION (EXT. INSTALL)
CONTRAFLAM 120 MIN IGU





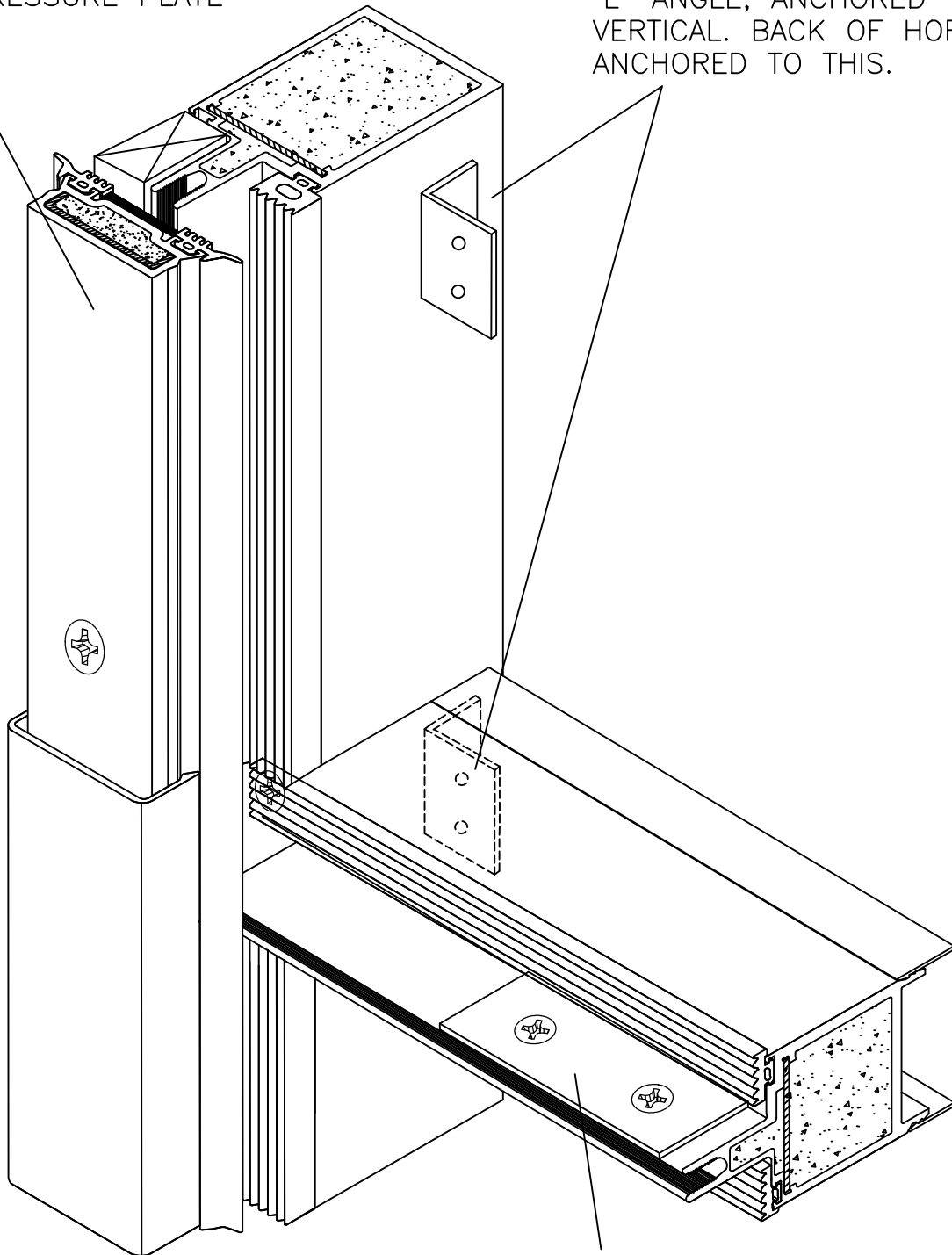
SCALE: 1/2 FULL SIZE





FILLED PRESSURE PLATE

"L" ANGLE, ANCHORED TO
VERTICAL. BACK OF HORIZONTAL
ANCHORED TO THIS.



STAINLESS STEEL SETTING BLOCK PLATFORM