

60 min Fire-Rated Aluminum Curtain Wall System

ALUFLAM® has pioneered the innovative solution to what was long considered an impossible dream (and a barrier to truly beautiful commercial architectural design), the development of rugged, versatile aluminum framing technology for fire-rated commercial curtain wall applications.

The ALUFLAM system has been tested and approved and is available to the architectural and construction communities worldwide.



Features:

- The clean, sharp lines of narrow stile aluminum framing
- Large, wire-free glass areas
- Barrier to radiant heat through insulated frame and glazing. ASTM E119 compliant
- Increased design freedom
- Tested and approved to national and international fire codes
- Multitude of finish options
- Simple to install
- High impact resistance
- No corrosion
- Energy efficient
- Reduced noise transmission
- Interior and exterior installation
- Optional butt-glazed silicone joints to eliminate intermediate vertical mullions. Up to 138-1/2" exposed glass height. For interior installation only
- 60 min. rating
- Manufactured in USA

Framing:

The revolutionary all-aluminum framing system is based on high quality extruded profiles, filled with a proprietary insulating compound.

Glazing:

Alufam curtain walls incorporate clear laminated fire resistance rated glazing. Glazing conforms to CPSC 16CFR1201 (CAT I & II) standards for impact while providing excellent clarity and sound reduction. Alufam's 60 minute curtain walls feature clear, intumescent glazing for barrier to radiant heat classification.

Finishes:

Alufam offers a number of factory pre-finished coatings for its fire-rated aluminum products.

These include:

- Anodizing
- Powder coating
- Architectural paint finishes

Listings:

These curtain wall assemblies are Classified by Underwriters Laboratories Inc. to ANSI/UL 263. UL File Number U544. ASTM E119 compliant. City of New York approved - MEA 248-08-M

Documentation:

Go to www.alufam-usa.com/resources/ for:

- CAD drawings
- CSI specifications
- Installation instructions
- UL approvals

Fire-Rated Aluminum Curtain Wall System

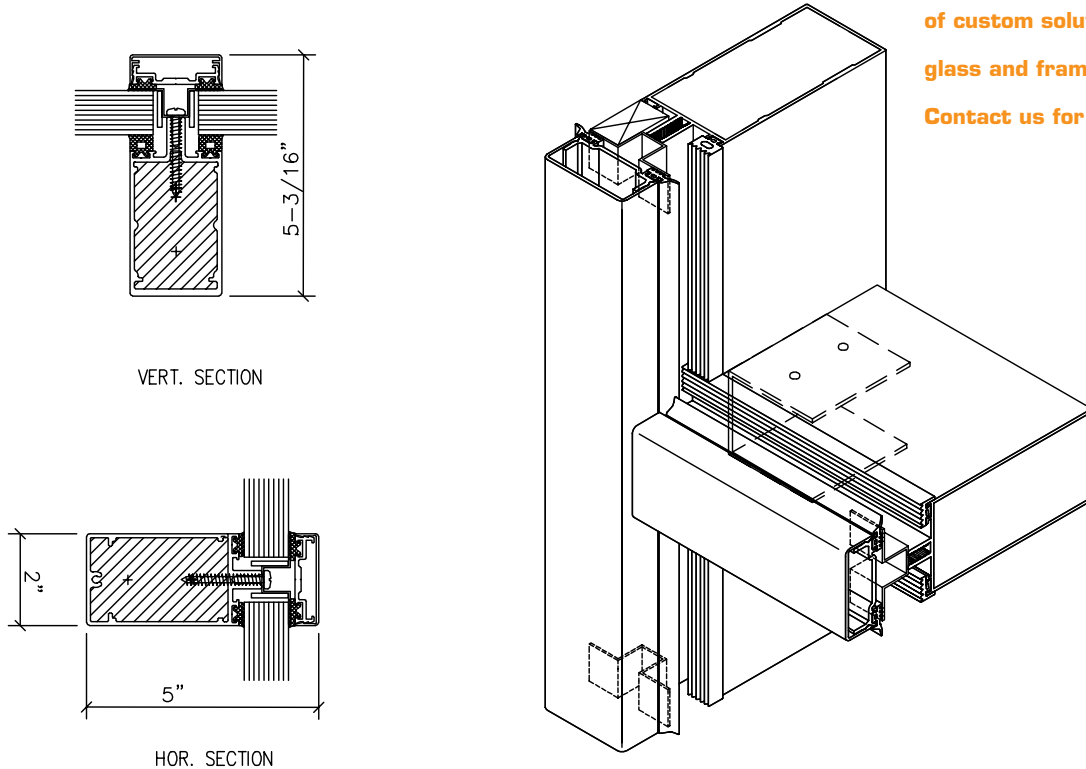
Description

Series	CW-EI60	CW2-EI60
Fire rating	60 min.	60 min.
Maximum exposed glass area, per lite (sq. in.)	4996	4996
Maximum exposed width, per lite (in.)	94-1/2	94-1/2
Maximum exposed height, per lite (in.)	94-1/2	94-1/2
Frame section (in.)	2 x 5-3/16	2 x 7-5/8
Frame weight (lbs./ft.)	4	4.5
Fire-rated glass weight (lbs./sq. ft.)	10.6	10.6

Alufam curtain walls are tested and approved to North American fire standards, and can be integrated with Alufam's fire-rated doors.

Framing

Looking for custom solutions:
Alufam can provide a variety
of custom solutions - both on
glass and framing.
Contact us for details!



Note: Depth based on 1" glass thickness for interior installation.

See our website for our full range of design options: www.alufam-usa.com

Contact: Alufam North America - A complete list of approved Alufam representatives is available online at www.alufam-usa.com

E-mail: info@alufam-usa.com



ALUFLAM NORTH AMERICA
16604 Edwards Road, Cerritos, California 90703
Phone: 562.926.9520 Fax: 562.404.1394 www.alufam-usa.com

Copyright © 2017 Alufam North America

alufam
Fire-Rated Aluminum Window And Door Systems